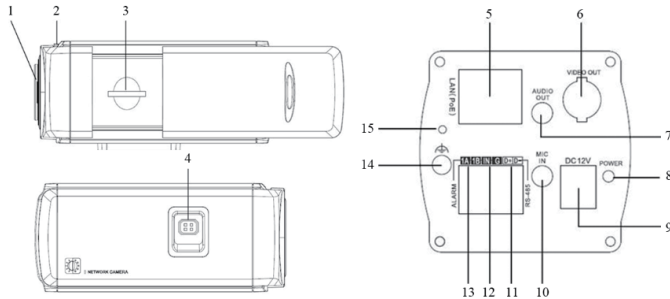


# Box Type Network Camera

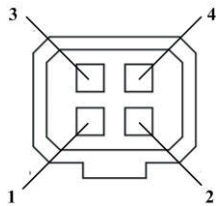
## Quick Installation Guide



No.	Description	No.	Description
1	Lens mount	8	POWER: Power LED indicator
2	Back focus ring	9	Power supply interface
3	SD card slot	10	MIC IN: Audio input interface
4	Auto-iris interface	11	D+, D-: RS-485 interface
5	10M/100M self-adaptive Ethernet interface	12	IN, G: Alarm input interface
6	VIDEO OUT: Video output interface	13	1A, 1B: Alarm output interface
7	AUDIO OUT: Audio output interface	14	Ground
		15	RESET: Reset button

### Note:

- To reset the default parameters to the camera, you need to press and hold the RESET button and power on the camera. After the power on of the camera, you must still press and hold the Reset button for about 20 seconds.
- The type of auto-iris interface is shown in below picture, and the definition of each pin is shown below:



	DC-driven
1	Damp-
2	Damp+
3	Drive+
4	Drive-

Damp+, Damp-, Drive+ and Drive- pins are used when the auto-iris is driven by DC.

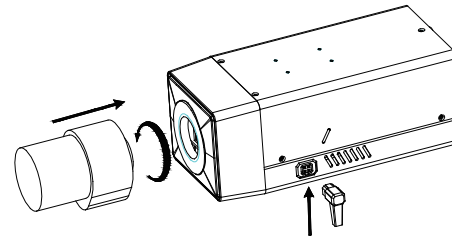
### Installation Steps:

#### 1. Lens Installation

- Remove the back cover from the lens mount.
- Screw your lens (not provided) clockwise onto the lens mount of the camera.
- Plug the cable of the lens to the 4-pin auto-iris interface on the side of the camera.

### Note:

Please prevent dust from entering between the lens mount and the lens.

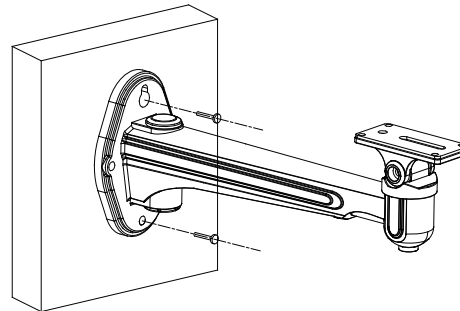


#### 2. Wiring

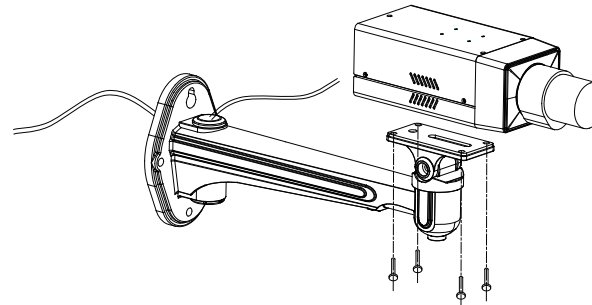
- Connecting the power supply
- Connecting a video output device
- Connecting audio input/output devices
- Connecting alarms
- Connecting a remote control device
- Grounding

#### 3. Mounting

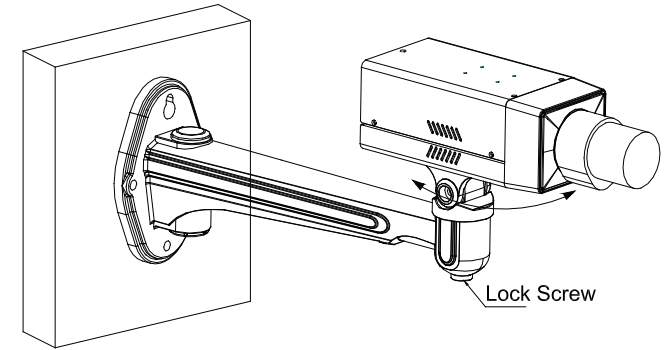
- Attach the wall mount (not provided) to the wall and tighten the screws to fix it.



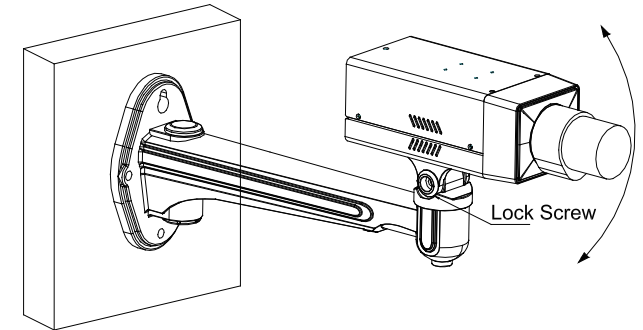
- Secure the camera to the wall mount with set screws.
- Route the cables for the camera.



- Loosen the panning lock screw, you can adjust the panning angle of the camera up to 360°



- Loosen the tilting lock screw, you can adjust the tilting angle of the camera up to 90°



For detailed instructions of further configuration, please refer to the user manual of network camera.