

4K Fixed Turret Network Camera

VSIP3182W-28



Key Features



Optics

- Day/night functionality
- Smart IR, up to 30 m (98 ft) IR distance
- 2D/3D DNR (Digital Noise Reduction)

Compression

- Ultra 265,H.265,H.264,MJPEG
- Triple streams
- ROI (Region of Interest)

Network

- ONVIF Conformance

Structure

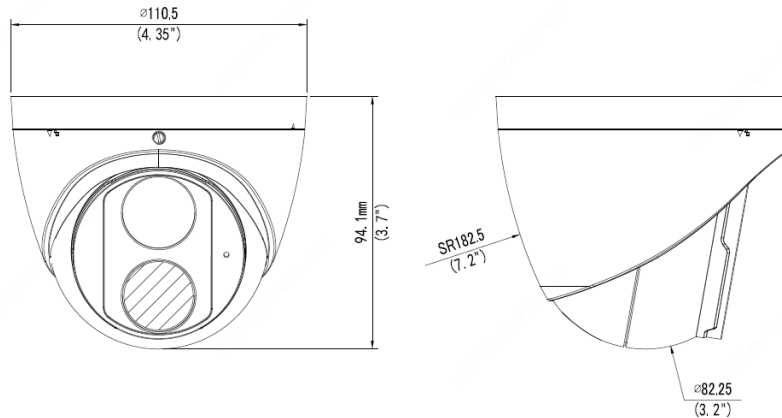
- Wide temperature range: -30°C ~ +60°C (-22°F ~ 140°F)
- Wide voltage range of ±25%
- IP67
- 3-Axis

Specifications

VSIP3182W-28																
Camera																
Sensor	1/3", 8.0 megapixel, progressive scan, CMOS															
Lens	2.8mm@F2.0															
DORI Distance	<table border="1"> <thead> <tr> <th>Lens</th> <th>Detect(m)</th> <th>Observe(m)</th> <th>Recognize(m)</th> <th>Identify(m)</th> </tr> </thead> <tbody> <tr> <td>2.8mm</td> <td>84</td> <td>33.6</td> <td>16.8</td> <td>8.4</td> </tr> <tr> <td>4.0mm</td> <td>120</td> <td>48</td> <td>24</td> <td>12</td> </tr> </tbody> </table>	Lens	Detect(m)	Observe(m)	Recognize(m)	Identify(m)	2.8mm	84	33.6	16.8	8.4	4.0mm	120	48	24	12
	Lens	Detect(m)	Observe(m)	Recognize(m)	Identify(m)											
	2.8mm	84	33.6	16.8	8.4											
4.0mm	120	48	24	12												
Angle of view(H)	112.7°															
Angle of View (V)	60.1°															
Angle of View (O)	146.5°															
Shutter	Auto/Manual, 1~1/100000 s															
Adjustment angle	<table border="1"> <tr> <td>Pan: 0°~360°</td> <td>Tilt: 0°~80°</td> <td>Rotate:0°~360°</td> </tr> </table>	Pan: 0°~360°	Tilt: 0°~80°	Rotate:0°~360°												
Pan: 0°~360°	Tilt: 0°~80°	Rotate:0°~360°														
Min. Illumination	Colour: 0.05 Lux (2.0, AGC ON) 0 Lux with IR															
Day/Night	IR-cut filter with auto switch (ICR)															
Digital noise reduction	2D/3D DNR															
S/N	>56dB															
IR Range	Up to 30m (98 ft) IR range															
Wavelength	850nm															
IR On/Off Control	Auto/Manual															
Defog	Digital Defog															
WDR	120dB															
Video																
Video Compression	Ultra 265, H.265, H.264, MJPEG															
H.264 code profile	Baseline Profile, Main Profile															

Frame Rate	Main Stream:8MP (3840*2160): Max. 20 fps;5MP(2944*1656): Max. 30 fps; 4MP(2560*1440): Max. 30 fps; 2MP(1920*1080): Max. 30 fps Sub Stream:720P (1280*720): Max. 20 fps Third Stream:4CIF (704*576): Max. 20 fps
Video Bit Rate	128 Kbps~16 Mbps
OSD	Up to 4 OSDs
Privacy Mask	Up to 4 areas
ROI	Up to 2 areas
Motion Detection	Up to 4 areas
Image	
White Balance	Auto/Outdoor/Fine Tune/Sodium Lamp/Locked/Auto2
Digital noise reduction	2D/3D DNR
Smart IR	Support
Flip	Normal/Vertical/Horizontal/180°
HLC	Supported
BLC	Supported
Smart	
Behavior Detection	Human Body Detection
Network	
Protocols	IPv4, IGMP, ICMP, ARP, TCP, UDP, DHCP, RTP, RTSP, RTCP, DNS, DDNS, NTP, FTP, UPnP, HTTP, HTTPS, SMTP, SSL,QoS
Compatible Integration	ONVIF (Profile S+ Profile T), API
Web Browser	Plug-in required live view: IE9+, Chrome 41 and below, Firefox 52 and below
	Plug-in free live view: Chrome 57.0+, Firefox 58.0+, Edge 16+, Safari 11+
Interface	
Network	10/100M Base-TX Ethernet
Certifications	
Certifications	CE: EN 60950-1 UL: UL60950-1 FCC: FCC Part 15
General	
Power	12 V DC±25%, PoE (IEEE802.3 af)
	Power consumption: Max 5W
Dimensions (Ø x H)	Φ118×96mm (Φ4.6"×3.8")
Net Weight	0.33kg (0.73lb)
Material	Front cover: metal Rear cover: plastic Bracket: plastic Bottom plate: metal
Working Environment	-30°C ~ +60°C (-22°F ~ 140°F), Humidity: ≤95% RH(non-condensing)
Storage Environment	-30°C ~ +60°C (-22°F ~ 140°F), Humidity: ≤95% RH(non-condensing)
Surge Protection	2KV
Ingress Protection	IP67

Dimensions



Accessories

VSJB742



VSWM342

