

## CMIP3C42WI-MDA

### 4 MP Hybrid Illumination Fixed Turret Network Camera



- High quality imaging with 4 MP resolution
- Smart Dual-Lighting with extended range
- Clear imaging against strong back light thanks to 120 dB WDR technology
- High-efficiency H.265+ compression technology
- Focus on human and vehicle classification
- Built-in microphone for real-time audio security
- Water and dust resistant (IP67)

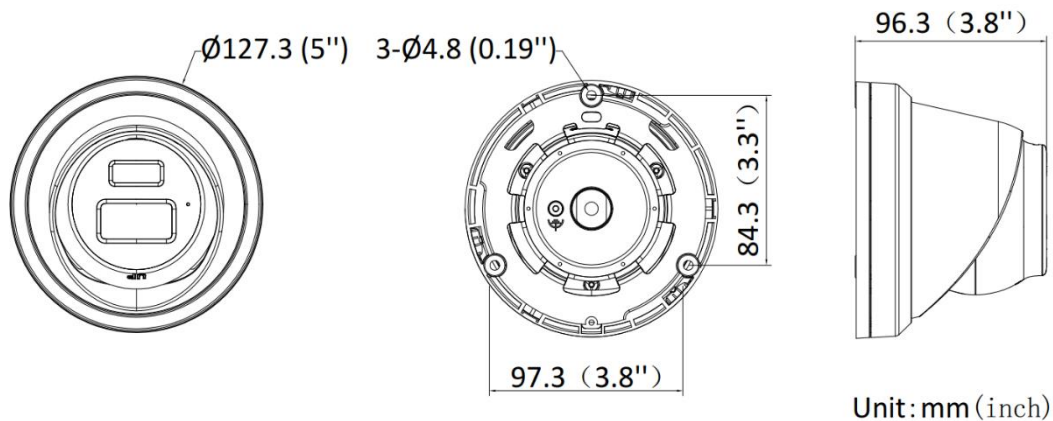
## Specifications

Camera	
Image Sensor	1/3" Progressive Scan CMOS
Max. Resolution	2688 × 1520
Min. Illumination	Color: 0.0005 Lux @ (F1.0, AGC ON), 0 Lux with light
Shutter Time	1/3 sec. to 1/100,000 sec.
Day & Night	IR cut filter
Angle Adjustment	Pan: 0° to 360°, tilt: 0° to 75°, rotate: 0° to 360°
Lens	
Lens Type	Fixed focal lens, 2.8 mm and 4 mm optional
Focal Length & FOV	2.8 mm: horizontal 100.2°, vertical 54.7°, diagonal 119.7° 4 mm: horizontal 81.1°, vertical 44.7°, diagonal 94.6°
Lens Mount	M12
Iris Type	Fixed
Aperture	F1.0
Depth of Field	2.8 mm: 1.9 m to ∞; 4 mm: 2.5 m to ∞
Detection, Observation, Recognition, Identification	
DORI	2.8 mm: D: 207 ft (63 m), O: 82 ft (25 m), R: 39 ft (12 m), I: 20 ft (6 m) 4 mm: D: 255 ft (78 m), O: 101 ft (31 m), R: 49 ft (15 m), I: 23 ft (7 m)
Illuminator	
Supplemental Light Types	IR, White Light
Supplemental Light Range	Up to 131 ft (40 m)
Smart Supplemental Lighting	Yes
IR Wavelength	850 nm
Video	
Main Stream	30 fps (2688 × 1520, 1920 × 1080, 1280 × 720)
Sub-Stream	30 fps (1280 × 720, 640 × 480, 640 × 360)
Third Stream	10 fps (1920 × 1080, 1280 × 720, 640 × 480, 640 × 360) *The third stream is supported under certain settings.
Video Compressions	Main stream: H.265+ / H.265 / H.264+ / H.264 Sub-stream: H.265 / H.264 / MJPEG Third stream: H.265 / H.264 *The third stream is supported under certain settings.
Video Bit Rates	32 Kbps to 8 Mbps
H.264 Type	Baseline Profile, Main Profile, High Profile
H.265 Type	Main Profile
Bit Rate Control	CBR, VBR
Scalable Video Coding (SVC)	H.264 and H.265 encoding
Region of Interest (ROI)	1 fixed region for main stream and sub-stream
Audio	
Audio Compression	G.711 / G.722.1 / G.726 / MP2L2 / PCM / MP3/ AAC-LC
Audio Bit Rates	64 Kbps (G.711 ulaw / G.711 alaw) / 16 Kbps (G.722.1) / 16 Kbps (G.726) / 16 Kbps to 64 Kbps (AAC-LC) / 32 to 192 Kbps (MP2L2) / 8 to 320 Kbps (MP3)
Audio Sampling Rates (kHz)	8 / 16 / 32 / 44.1 / 48
Environmental Noise Filtering	Yes

<b>Network</b>	
Protocols	TCP/IP, ICMP, HTTP, HTTPS, FTP, DHCP, DNS, DDNS, RTP, RTSP, RTCP, NTP, UPnP, SMTP, IGMP, 802.1X, QoS, IPv4, IPv6, UDP, Bonjour, SSL/TLS, PPPoE, SNMP, WebSocket, WebSockets, SRTP, SFTP
Simultaneous Live View	Up to 6 channels
API	Open Network Video Interface (Profile S, Profile G, Profile T), ISAPI, SDK, ISUP
User / Host	Up to 32 users 3 user levels: administrator, operator, and user
Security	Password protection, complicated password, HTTPS encryption, 802.1X authentication (EAP-TLS, EAP-LEAP, EAP-MD5), watermark, IP address filter, basic and digest authentication for HTTP/HTTPS, WSSE and digest authentication for Open Network Video Interface, RTP/RTSP over HTTPS, control timeout settings, security audit log, TLS 1.1 / 1.2 / 1.3, host authentication (MAC address)
Network Storage	NAS (NFS, SMB/CIFS), Auto Network Replenishment (ANR)
Client	LTS connect, NVMS, X-VMS
Web Browser	Plug-in required live view: IE 10, IE 11, Plug-in free live view: Chrome 57.0+, Firefox 52.0+, Edge 89+, Local service: Chrome 57.0+, Firefox 52.0+, Edge 89+
<b>Image</b>	
Image Parameters Switch	Yes
Image Settings	Rotate mode, saturation, brightness, contrast, sharpness, gain, white balance, adjustable by client software or web browser
Day / Night Switch	Day, Night, Auto, Schedule
Image Enhancement	BLC, HLC, 3D DNR
SNR	≥ 52 dB
Wide Dynamic Range (WDR)	120 dB
Privacy Mask	4 programmable polygon privacy masks
<b>Interface</b>	
Ethernet Interface	1 RJ45 10/100 Mbps self-adaptive Ethernet port
On-Board Storage	Built-in memory card slot, supports MicroSD / SDHC / SDXC cards, up to 512 GB
Built-in Microphone	Yes
Reset Key	Yes
<b>Event Types</b>	
Basic Events	Motion detection (support alarm triggering by specified target types (human and vehicle)), video tampering alarm, exception/anomaly
Linkage	Upload to FTP / NAS / memory card, notify surveillance center, trigger recording, trigger capture, send email
Smart Events	Line crossing, intrusion, region entrance, region exiting (supports alarm triggered by specified target types (human and vehicle)), and scene change detections
<b>Other VCA Functions</b>	
Face Capture	Yes
<b>General</b>	
Power	12 VDC ± 25%, 0.6 A, max. 7.2 W, Ø5.5 mm coaxial power plug, reverse polarity protection, PoE: IEEE 802.3af, Class 3, max. 9 W

Materials	Cover: Metal; Main body: Metal
Dimensions	Ø 5 × 3.8 in (Ø 127.3 × 96.3 mm)
Package Dimensions	5.9 × 5.9 × 5.6 in (150 × 150 × 141 mm)
Weight	Approx. 1.2 lbs (550 g)
Package Weight	Approx. 1.8 lbs (800 g)
Storage Conditions	-22° to 140° F (-30° to 60° C); Humidity 95% or less (non-condensing)
Startup and Operating Conditions	-22° to 140° F (-30° to 60° C); Humidity 95% or less (non-condensing)
General Functions	Heartbeat, mirror, password reset via email, pixel counter, anti-banding
<b>Certifications</b>	
EMC	CE-EMC: EN 55032: 2015, EN 61000-3-2:2019, EN 61000-3-3: 2013+A1:2019, EN 50130-4: 2011 +A1: 2014, FCC: 47 CFR Part 15, Subpart B
Safety	UL: UL 62368-1 CB: IEC 62368-1: 2014+A11 CE-LVD: EN 62368-1: 2014/A11: 2017
Environmental	CE-RoHS: 2011/65/EU
Protections	IP67: IEC 60529-2013

## Dimensions



## Accessories

LTB379 Corner Mount	LTB301 Wall Mount	LTB331 Pendant Mount	LTB378 Vertical Pole Mount	LTB03-W Junction box
