

CMIP3C42W-28SDL

4 MP Strobe Light and Audible Warning Fixed Turret Network Camera



Enjoy vivid, colorful imaging 24/7 with advanced lenses and high performance sensors. The F1.0 super-aperture collects more light to produce brighter images. Advanced sensor technology vastly improves the utilization of available light.

- High quality imaging with 4 MP resolution
- Efficient H.265+ compression technology
- Clear imaging against strong backlight thanks to 130 dB WDR technology
- Focus on human and vehicle targets classification based on deep learning
- Colorful imaging 24/7
- Active strobe light and audio alarm to ward off intruders
- Real-time security via built-in two-way audio
- Audio and alarm interface available
- Water and dust resistance (IP67)

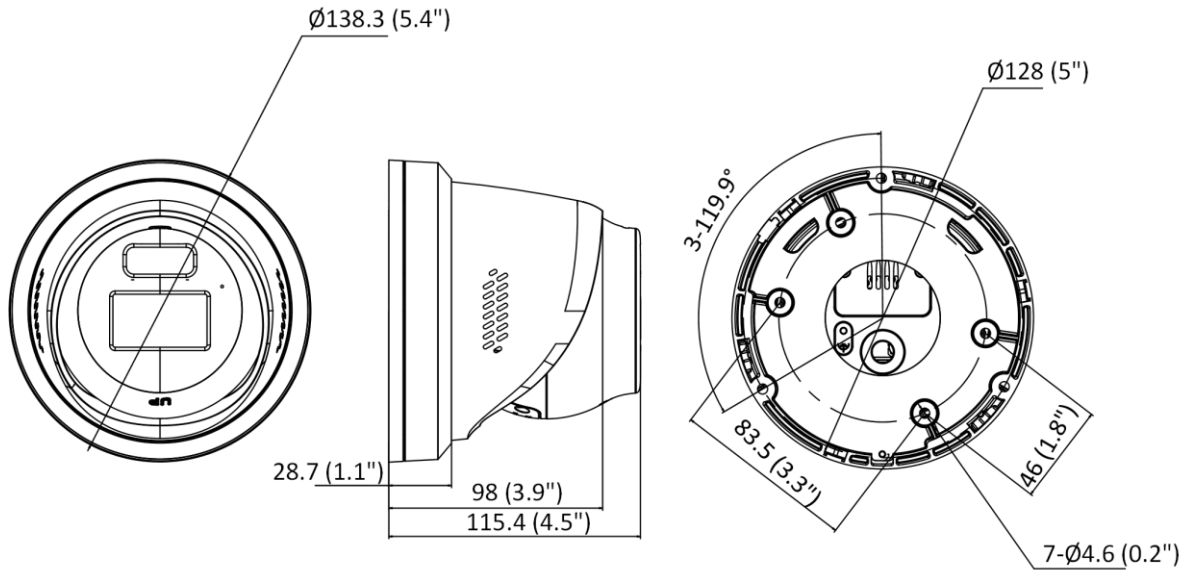
Specifications

Camera	
Image Sensor	1/1.8" Progressive Scan CMOS
Max. Resolution	2688 × 1520
Min. Illumination	Color: 0.0005 Lux @ (F1.0, AGC ON), 0 Lux with white light
Shutter Time	1/3 sec. to 1/100,000 sec.
Angle Adjustment	Pan: 0° to 360°, tilt: 0° to 75°, rotate: 0° to 360°
Lenses	
Focal Lengths & FOV	2.8 mm: horizontal 111.9°, vertical 60.5°, diagonal 133.6° 4 mm: horizontal 95.2°, vertical 50.6°, diagonal 114.7°
Lens Mount	M16
Iris Type	Fixed
Aperture	F1.0
Depth of Field	2.8 mm: 3.1 m to ∞ 4 mm: 5.4 m to ∞
Detection, Observation, Recognition, Identification	
DORI	2.8 mm, D: 190 ft (58.2 m), O: 75 ft (23.1 m), R: 38 ft (11.6 m), I: 19 ft (5.8 m) 4 mm, D: 252 ft (77 m), O: 100 ft (30.5 m), R: 50 ft (15.4 m), I: 25 ft (7.7 m)
Illuminator	
Supplemental Light Type	White light
Supplemental Light Range	Up to 98 ft (30 m)
Smart Supplemental Lighting	Yes
Video	
Main Stream	50 Hz: 25 fps (2688 × 1520, 1920 × 1080, 1280 × 720) 60 Hz: 30 fps (2688 × 1520, 1920 × 1080, 1280 × 720)
Sub-Stream	50 Hz: 25 fps (640 × 480, 640 × 360) 60 Hz: 30 fps (640 × 480, 640 × 360)
Third Stream	50 Hz: 10 fps (1920 × 1080, 1280 × 720, 640 × 480, 640 × 360) 60 Hz: 10 fps (1920 × 1080, 1280 × 720, 640 × 480, 640 × 360) *Third stream is supported under certain settings.
Video Compressions	Main stream: H.265+ / H.265 / H.264+ / H.264 Sub-stream: H.265 / H.264 / MJPEG Third stream: H.265 / H.264 *Third stream is supported under certain settings.
Video Bit Rates	32 Kbps to 8 Mbps
H.264 Type	Baseline Profile / Main Profile / High Profile
H.265 Type	Main Profile
Bit Rate Control	CBR / VBR
Scalable Video Coding (SVC)	H.265 and H.264 encoding
Region of Interest (ROI)	1 fixed region for main stream and sub-stream
Audio	
Audio Compression	G.711 ulaw / G.711 alaw / G.722.1 / G.726 / MP2L2 / PCM / MP3 / AAC
Audio Bit Rates	64 Kbps (G.711 ulaw / G.711 alaw) / 16 Kbps (G.722.1) / 16 Kbps (G.726) / 32 to 192 Kbps (MP2L2) / 8 to 320 Kbps (MP3) / 16 to 64 Kbps (AAC)
Audio Sampling Rates (kHz)	8 / 16 / 32 / 44.1 / 48
Environmental Noise Filtering	Yes

Network	
Protocols	TCP/IP, ICMP, HTTP, HTTPS, FTP, DHCP, DNS, DDNS, RTP, RTSP, NTP, UPnP, SMTP, IGMP, 802.1X, QoS, IPv4, IPv6, UDP, Bonjour, SSL/TLS, PPPoE, SNMP, ARP
Simultaneous Live View	Up to 6 channels
API	Open Network Video Interface (PROFILE S, PROFILE G, PROFILE T), ISAPI, SDK
User / Host	Up to 32 users. 3 user levels: administrator, operator and user
Security	Password protection, complicated password, HTTPS encryption, IP address filter, Security Audit Log, basic and digest authentication for HTTP / HTTPS, TLS 1.1 / 1.2, WSSE and digest authentication for Open Network Video Interface
Network Storage	NAS (NFS, SMB/CIFS), auto network replenishment (ANR), MicroSD / SDHC / SDXC cards (256 GB) for local storage
Web Browser	Plug-in required live view: IE 10+ Plug-in free live view: Chrome 57.0+, Firefox 52.0+ Local service: Chrome 57.0+, Firefox 52.0+
Image	
Image Parameters Switch	Yes
Image Settings	Rotate mode, saturation, brightness, contrast, sharpness, gain, white balance adjustable by client software or web browser
Day / Night Switch	Auto, Schedule
Wide Dynamic Range (WDR)	130 dB
SNR	≥ 52 dB
Image Enhancement	BLC, HLC, 3D DNR
Interface	
Ethernet Interface	1 RJ45 10/100 Mbps self-adaptive Ethernet port
On-Board Storage	Built-in memory card slot, supports MicroSD / SDHC / SDXC cards, up to 256 GB
Built-in Microphone	Yes
Built-in Speaker	1.2 W, 10 cm: 95 dB
Audio	1 input (line in), two-core terminal block, max. input amplitude: 3.3 Vpp, input impedance: 4.7 KΩ, interface type: non-equilibrium 1 output (line out), two-core terminal block, max. output amplitude: 3.3 Vpp, output impedance: 100 Ω, interface type: non-equilibrium
Alarm	Visual alarm 1 input, 1 output (max. 24 VDC / 24 VAC, 1 A)
Reset Key	Yes
Event Types	
Basic Events	Motion detection (human and vehicle targets classification), video tampering alarm, exception/anomaly
Smart Events	Line crossing, intrusion, region entrance, region exiting (supports alarm triggering by specified target types (human and vehicle)) and scene change detections
Linkage	Upload to NAS / memory card / FTP, notify surveillance center, trigger recording, trigger capture, send email, strobe light, audible warning, trigger alarm output
Deep Learning Functions	
Face Capture	Yes

General	
Power	12 VDC ± 25%, 0.54 A, max. 6.5 W, Ø5.5 mm coaxial power plug PoE: 802.3af, Class 3, 36 V to 57 V, 0.22 A to 0.14 A, max. 8 W
Dimensions	Ø 5.4 × 4.5 in. (Ø 138.3 × 115.4 mm)
Package Dimensions	6.7 × 6.7 × 5.9 in. (170 × 170 × 150 mm)
Weight	Approx. 1.7 lbs (760 g)
Package Weight	Approx. 2.3 lbs (1,040 g)
Storage Conditions	-22° to 140° F (-30° to 60° C); Humidity 95% or less (non-condensing)
Startup and Operating Conditions	-22° to 140° F (-30° to 60° C); Humidity 95% or less (non-condensing)
Languages (33)	English, Russian, Estonian, Bulgarian, Hungarian, Greek, German, Italian, Czech, Slovak, French, Polish, Dutch, Portuguese, Spanish, Romanian, Danish, Swedish, Norwegian, Finnish, Croatian, Slovenian, Serbian, Turkish, Korean, Traditional Chinese, Thai, Vietnamese, Japanese, Latvian, Lithuanian, Portuguese (Brazil), Ukrainian
General Functions	Anti-flicker, heartbeat, mirror, privacy mask, flash log, password reset via email, pixel counter
Certifications	
EMC	FCC SDoC: 47 CFR Part 15, Subpart B CE-EMC: EN 55032: 2015, EN 61000-3-2: 2014, EN 61000-3-3: 2013, EN 50130-4: 2011 +A1: 2014 RCM: AS/NZS CISPR 32: 2015 IC VoC: ICES-003: Issue 6, 2016 KC: KN 32: 2015, KN 35: 2015
Safety	UL: UL 60950-1 CB: IEC 60950-1:2005 + Am 1:2009 + Am 2:2013, IEC 62368-1:2014 CE-LVD: EN 60950-1:2005 + Am 1:2009 + Am 2:2013, IEC 62368-1:2014 LOA: IEC/EN 60950-1
Environmental	CE-RoHS: 2011/65/EU WEEE: 2012/19/EU Reach: Regulation (EC) No 1907/2006
Protections	IP67: IEC 60529-2013

Dimensions



Unit: mm (inch)

Accessories (Optional)

LTB342-140 Wall Mount	LTB379 Corner Mount	LTB378 Vertical Pole Mount	LTB341 Pendant Mount	LTB342-140B Wall Mount
				
LTB701-A Junction Box				
				