

CMIP3C82NW-28MDA / CMIP3C82NW-MDA 8 MP Full-Color Fixed Turret Network Camera



Our technology provides vivid colorful imaging 24/7 with advanced lenses and high performance sensors. The F1.0 super-aperture collects more light to produce brighter images. Advanced sensor technology vastly improves the utilization of available light.

- High quality imaging with 8 MP resolution
- Colorful imaging 24/7
- Clear imaging against strong backlight thanks to 130 dB WDR technology
- Efficient H.265+ compression technology
- Focus on human and vehicle target classification based on deep learning
- Built-in microphone for real-time audio security
- Water and dust resistance (IP67)

Specifications

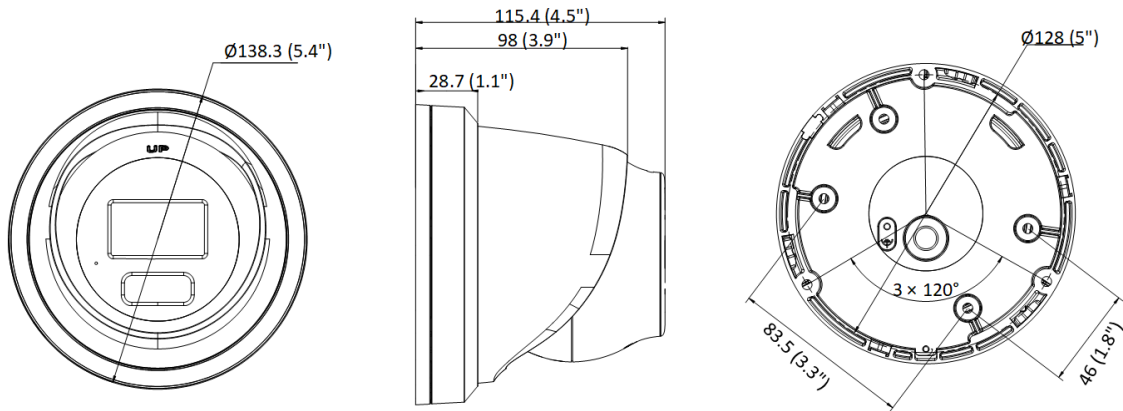
Camera	
Image Sensor	1/1.8" Progressive Scan CMOS
Max. Resolution	3840 × 2160
Min. Illumination	Color: 0.0008 Lux @ (F1.0, AGC on), 0 Lux with white light
Shutter Time	1/3 sec. to 1/100,000 sec.
Day & Night	24/7 color imaging
Angle Adjustment	Pan: 0° to 360°, tilt: 0° to 75°, rotate: 0° to 360°
Lenses	
Lens Type	Fixed focal lens, 2.8 and 4 mm optional
Focal Lengths & FOV	2.8 mm: horizontal 104°, vertical 55°, diagonal 127° 4 mm: horizontal 93°, vertical 46°, diagonal 112°
Lens Mount	M16
Iris Type	Fixed
Aperture	F1.0
Depth of Field	2.8 mm: 3.4 m to ∞ 4 mm: 3.8 m to ∞
Detection, Observation, Recognition, Identification	
DORI	2.8 mm: D: 298 ft (91 m), O: 118 ft (36 m), R: 59 ft (18 m), I: 29 ft (9 m) 4 mm: D: 364 ft (111 m), O: 144 ft (44 m), R: 72 ft (22 m), I: 36 ft (11 m)
Illuminator	
Supplemental Light Type	White Light
Supplemental Light Range	Up to 98 ft (30 m)
Smart Supplemental Lighting	Yes
Video	
Main Stream	50 Hz: <ul style="list-style-type: none"> • 20 fps (3840 × 2160) • 25 fps (3200 × 1800, 2688 × 1520, 1920 × 1080, 1280 × 720) 60 Hz: <ul style="list-style-type: none"> • 20 fps (3840 × 2160) • 30 fps (3200 × 1800, 2688 × 1520, 1920 × 1080, 1280 × 720)
Sub-Stream	50 Hz: 25 fps (1280 × 720, 640 × 480, 640 × 360) 60 Hz: 30 fps (1280 × 720, 640 × 480, 640 × 360)
Third Stream	50 Hz: 10 fps (1920 × 1080, 1280 × 720, 640 × 480, 640 × 360) 60 Hz: 10 fps (1920 × 1080, 1280 × 720, 640 × 480, 640 × 360)
Video Compressions	Main stream: H.265+ / H.265 / H.264+ / H.264 Sub-stream: H.265 / H.264 / MJPEG Third stream: H.265 / H.264
Video Bit Rates	32 Kbps to 16 Mbps
H.264 Type	Baseline Profile / Main Profile / High Profile
H.265 Type	Main Profile
Bit Rate Control	CBR / VBR
Scalable Video Coding (SVC)	H.264 and H.265 encoding
Region of Interest (ROI)	1 fixed region for main stream and sub-stream
Audio	
Audio Type	Mono sound

Audio Compressions	G.711 / G.722.1 / G.726 / MP2L2 / PCM / MP3/ AAC-LC
Audio Bit Rates	64 Kbps (G.711 ulaw) / 64 Kbps (G.711 alaw) / 16 Kbps (G.722.1) / 16 Kbps (G.726) / 32 to 192 Kbps (MP2L2) / 8 to 320 Kbps (MP3) / 16 to 64 Kbps (AAC-LC)
Audio Sampling Rates (kHz)	8 / 16 / 32 / 44.1 / 48
Environmental Noise Filtering	Yes
Network	
Protocols	TCP/IP, ICMP, HTTP, HTTPS, FTP, DHCP, DNS, DDNS, RTP, RTSP, NTP, UPnP, SMTP, IGMP, 802.1X, QoS, IPv6, UDP, Bonjour, SSL/TLS, PPPoE, SNMP
Simultaneous Live View	Up to 6 channels
API	Open Network Video Interface (Profile S, Profile G, Profile T), ISAPI, SDK, ISUP
User / Host	Up to 32 users 3 user levels: administrator, operator, and user
Security	Password protection, complicated password, HTTPS encryption, 802.1X authentication (EAP-TLS, EAP-LEAP, EAP-MD5), watermark, IP address filter, basic and digest authentication for HTTP/HTTPS, WSSE and digest authentication for Open Network Video Interface, RTP/RTSP over HTTPS, control timeout settings, security audit log, TLS 1.2, TLS 1.3, host authentication (MAC address)
Network Storage	NAS (NFS, SMB / CIFS), auto network replenishment (ANR)
Web Browser	Plug-in required live view: IE10+ Plug-in free live view: Chrome 57.0+, Firefox 52.0+, Safari 12+ Local service: Chrome 57.0+, Firefox 52.0+
Imaging	
Image Parameters Switch	Yes
Image Settings	Mirror, privacy mask, saturation, brightness, contrast, sharpness, gain, white balance adjustable by client software or web browser
Day / Night Switch	Day, Night, Auto, Schedule
Wide Dynamic Range (WDR)	130 dB
SNR	≥ 52 dB
Image Enhancement	BLC, HLC, 3D DNR
Privacy Mask	4 regions of privacy mask
Interface	
Ethernet Interface	1 RJ45 10/100 Mbps self-adaptive Ethernet port
On-Board Storage	Built-in memory card slot, supports MicroSD / SDHC / SDXC / TF cards, up to 256 GB
Built-in Microphone	Yes
Reset Key	Yes
Event Types	
Basic Events	Motion detection (support alarm triggering by specified target types (human and vehicle)), video tampering alarm, exception/anomaly
Smart Events	Line crossing, intrusion, region entrance, region exiting (support alarm triggered by specified target types (human and vehicle)), and scene change detections
Linkage	Upload to NAS / memory card / FTP, notify surveillance center, send email, trigger recording, trigger capture

General	
Power	12 VDC ± 25%, 0.79 A, max. 9.5 W, Ø 5.5 mm coaxial power plug, reverse polarity protection PoE: 802.3 af, Class3, 36 V to 57 V, 0.29 A to 0.18 A, max. 10.5 W
Materials	Metal except for trim ring
Dimensions	Ø 5.4 × 4.5 in (Ø 138.3 × 115.4 mm)
Package Dimensions	6.7 × 6.7 × 5.9 in (170 × 170 × 150 mm)
Weight	Approx. 1.7 lbs (770 g)
Package Weight	Approx. 2.3 lbs (1,040 g)
Storage Conditions	-22° to 140° F (-30° to 60° C); Humidity 95% or less (non-condensing)
Startup and Operating Conditions	-22° to 140° F (-30° to 60° C); Humidity 95% or less (non-condensing)
Languages (33)	English, Russian, Estonian, Bulgarian, Hungarian, Greek, German, Italian, Czech, Slovak, French, Polish, Dutch, Portuguese, Spanish, Romanian, Danish, Swedish, Norwegian, Finnish, Croatian, Slovenian, Serbian, Turkish, Korean, Traditional Chinese, Thai, Vietnamese, Japanese, Latvian, Lithuanian, Portuguese (Brazil), Ukrainian
General Function	Anti-flicker, heartbeat, mirror, flash log, password reset via email, pixel counter, password protection, one-key reset, three streams
Certifications	
EMC	CE-EMC: EN 55032: 2015, EN 61000-3-2:2019, EN 61000-3-3: 2013+A1:2019, EN 50130-4: 2011 +A1: 2014, FCC: 47 CFR Part 15, Subpart B
Safety	UL: UL 62368-1 CB: IEC 62368-1: 2014+A11 CE-LVD: EN 62368-1: 2014/A11: 2017
Environmental	CE-RoHS: 2011/65/EU, WEEE: 2012/19/EU, Reach: Regulation (EC) No 1907/2006
Protections	IP67: IEC 60529-2013



Dimensions



Unit: mm (inch)

Accessories (Optional)

LTB342-140B Wall Mount	LTB342-140 Wall Mount	LTB378 Vertical Pole Mount	LTB701-A Junction Box	LTB379 Corner Mount
				
LTB341 Pendant Mount				
				