

## CMIP9C42WI-28MD

### Platinum 4 MP Hybrid Illumination Fixed Bullet Network Camera



- High quality imaging with 4 MP resolution
- Clear imaging against strong back light thanks to 120 dB WDR technology
- Efficient H.265+ compression technology
- Excels at human and vehicle classification
- Water and dust resistant (IP67)

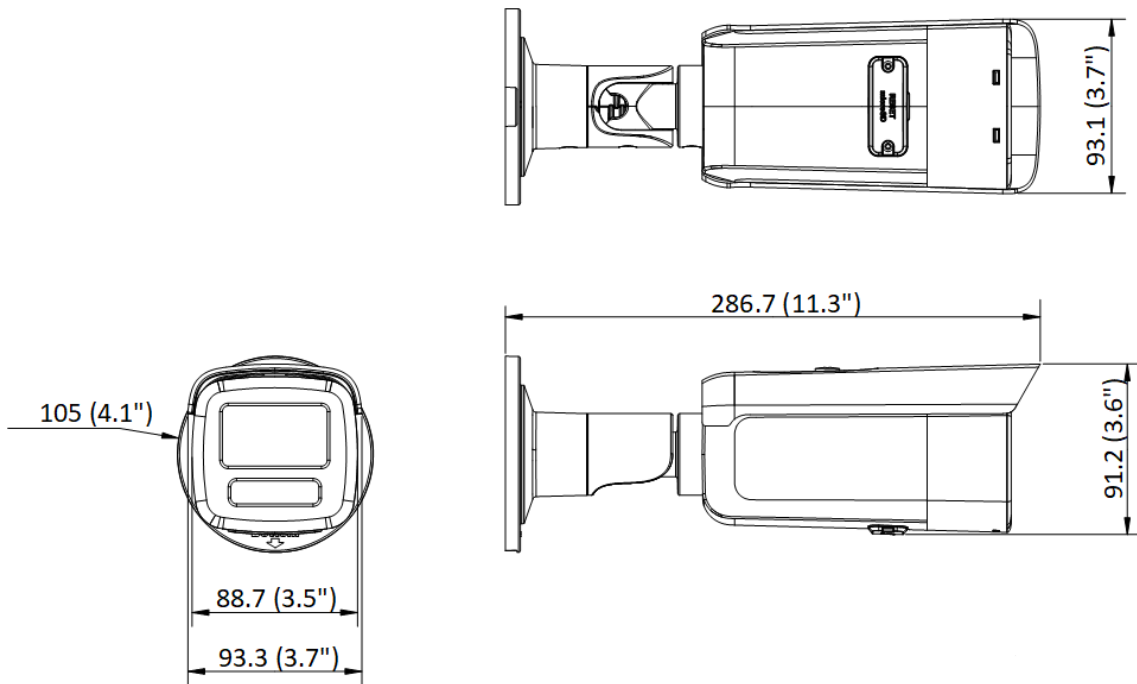
## Specifications

Camera	
Image Sensor	1/3" Progressive Scan CMOS
Max. Resolution	2688 × 1520
Min. Illumination	Color: 0.0005 Lux @ (F1.0, AGC ON), 0 Lux with light
Shutter Time	1/3 sec. to 1/100,000 sec.
Day & Night	IR cut filter
Angle Adjustment	Pan: 0° to 360°, tilt: 0° to 90°, rotate: 0° to 360°
Lens	
Lens Type	Fixed focal lens, 2.8 mm
Focal Length & FOV	2.8 mm, horizontal 100.2°, vertical 54.7°, diagonal 119.7°
Lens Mount	M12
Iris Type	Fixed
Aperture	F1.0
Depth of Field	2.8 mm: 1.9 m to ∞
Detection, Observation, Recognition, Identification	
DORI	2.8 mm: D: 63 m, O: 25 m, R: 12 m, I: 6 m
Illuminator	
Supplemental Light Type	IR, White Light
Supplemental Light Range	Up to 60 m
Smart Supplemental Lighting	Yes
IR Wavelength	850 nm
Video	
Main Stream	30 fps (2688 × 1520, 1920 × 1080, 1280 × 720)
Sub-Stream	30 fps (1280 × 720, 640 × 480, 640 × 360)
Third Stream	10 fps (1920 × 1080, 1280 × 720, 640 × 480, 640 × 360) *The third stream is supported under certain settings.
Video Compression	Main stream: H.265 / H.264 / H.264+ / H.265+ Sub-stream: H.265 / H.264 / MJPEG Third stream: H.265 / H.264 *The third stream is supported under certain settings.
Video Bit Rate	32 Kbps to 8 Mbps
H.264 Type	Baseline Profile, Main Profile, High Profile
H.265 Type	Main Profile
Bit Rate Control	CBR, VBR
Scalable Video Coding (SVC)	H.264 and H.265 encoding
Region of Interest (ROI)	1 fixed region for main stream and sub-stream
Network	
Protocols	TCP/IP, ICMP, HTTP, HTTPS, FTP, DHCP, DNS, DDNS, RTP, RTSP, RTCP, NTP, UPnP, SMTP, IGMP, 802.1X, QoS, IPv4, IPv6, UDP, Bonjour, SSL/TLS, PPPoE, SNMP, WebSocket, WebSockets, SRTP, SFTP
Simultaneous Live View	Up to 6 channels
API	Open Network Video Interface (Profile S, Profile G, Profile T), ISAPI, SDK, ISUP
User/Host	Up to 32 users 3 user levels: Administrator, operator, and user

Security	Password protection, complicated password, HTTPS encryption, 802.1X authentication (EAP-TLS, EAP-LEAP, EAP-MD5), watermark, IP address filter, basic and digest authentication for HTTP/HTTPS, WSSE and digest authentication for Open Network Video Interface, RTP/RTSP over HTTPS, control timeout settings, security audit log, TLS 1.1 / 1.2 / 1.3, host authentication (MAC address)
Network Storage	NAS (NFS, SMB / CIFS), Auto Network Replenishment (ANR)
Client	NVMS, LTS Connect, X-VMS
Web Browser	Plug-in required live view: IE 10, IE 11, Plug-in free live view: Chrome 57.0+, Firefox 52.0+, Edge 89+, Local service: Chrome 57.0+, Firefox 52.0+, Edge 89+
<b>Image</b>	
Image Parameters Switch	Yes
Image Settings	Rotate mode, saturation, brightness, contrast, sharpness, gain, white balance, adjustable by client software or web browser
Day / Night Switch	Day, Night, Auto, Schedule
Image Enhancement	BLC, HLC, 3D DNR
SNR	≥ 52 dB
Wide Dynamic Range (WDR)	120 dB
Privacy Mask	4 programmable polygon privacy masks
<b>Interface</b>	
Ethernet Interface	1 RJ45 10 M/100 M self-adaptive Ethernet port
On-Board Storage	Built-in memory card slot, supports MicroSD / SDHC / SDXC cards, up to 512 GB
Reset Key	Yes
<b>Event Types</b>	
Basic Events	Motion detection (support alarm triggering by specified target types (human and vehicle)), video tampering alarm, anomalies
Linkage	Upload to FTP / NAS / memory card, notify surveillance center, trigger recording, trigger capture, send email
Smart Events	Line crossing, intrusion, region entrance, region exiting (support alarm triggered by specified target types (human and vehicle)), and scene change detections
<b>Deep Learning Function</b>	
Face Capture	Yes
<b>General</b>	
Power	12 VDC ± 25%, 0.6 A, max. 7.2 W, Ø5.5 mm coaxial power plug, reverse polarity protection PoE: IEEE 802.3af, Class 3, max. 9 W
Material	Metal
Camera Dimensions	11.3 × 3.7 × 3.6 in. (286.7 × 93.3 × 91.2 mm)
Package Dimensions	15.2 × 6.1 × 6.1 in. (386 × 156 × 155 mm)
Weight	Approx. 2.4 lbs (1,085 g)
Package Weight	Approx. 3.6 lbs (1,639 g)
Storage Conditions	-22° to 140° F (-30° to 60° C). Humidity 95% or less (non-condensing)
Startup and Operating Conditions	-22 °F to 140 °F (-30 °C to 60 °C). Humidity 95% or less (non-condensing)
General Function	Heartbeat, mirror, password reset via email, pixel counter, anti-banding

Certifications	
EMC	CE-EMC: EN 55032: 2015, EN 61000-3-2:2019, EN 61000-3-3: 2013+A1:2019, EN 50130-4: 2011 +A1: 2014, FCC: 47 CFR Part 15, Subpart B
Safety	UL: UL 62368-1 CB: IEC 62368-1: 2014+A11 CE-LVD: EN 62368-1: 2014 / A11: 2017
Environmental	CE-RoHS: 2011 / 65 / EU
Protections	IP67: IEC 60529-2013

## Dimensions



## Accessories

LTB379 Corner Mount	LTB378 Vertical Pole Mount	LTB801 Junction Box
