

CMHT1722NW-28CF / CMHT1722NW-CF Platinum 2 MP Full Color Fixed Turret Camera

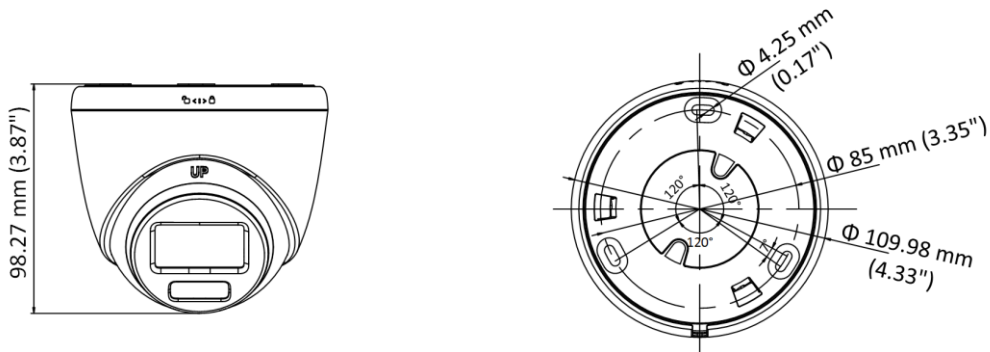


- High quality imaging with 2 MP, 1920 × 1080 resolution
- 24/7 color imaging with F1.0 aperture
- Clear imaging against strong back light thanks to 130 dB true WDR technology
- 3D DNR technology delivers clean and sharp images
- 2.8 & 3.6 mm fixed focal lenses
- Up to 131 ft (40 m) white light distance for bright night imaging
- One port for four switchable signals
- Water and dust resistance (IP67)

Specifications

Camera	
Image Sensor	2 MP CMOS
Signal System	PAL / NTSC
Resolution	1920 (H) × 1080 (V)
Frame Rates	TVI: 1080p @ 25 fps / 30 fps CVI: 1080p @ 25 fps / 30 fps AHD: 1080p @ 25 fps / 30 fps CVBS: PAL / NTSC
Min. Illumination	0.0005 Lux @ (F1.0, AGC on), 0 Lux with supplemental light on
Shutter Time	PAL: 1/25 to 1/50,000 seconds; NTSC: 1/30 to 1/50,000 seconds
Slow Shutter	Max. 16 times
Lens	2.8 mm, 3.6 mm Fixed Lens
Field of View	2.8 mm: Horizontal: 98°, vertical: 52°, diagonal: 116° 3.6 mm: Horizontal: 77°, vertical: 42°, diagonal: 91°
Lens Mount	M12
Light Alarm	Solid Light Alarm (White Light)
Day & Night	Color
WDR (Wide Dynamic Range)	≥ 130 dB
Angle Adjustment	Pan: 0° to 360°, Tilt: 0° to 75°, Rotation: 0° to 360°
Menu	
White Light	Auto / Off
Image Mode	STD / HIGH-SAT / HIGHLIGHT
AGC	Yes
Day / Night Mode	Color
White Balance	Auto / Manual
AE (Auto Exposure) Modes	WDR, BLC, HLC, Global, HLS
Privacy Mask	4 programmable privacy masks
Motion Detection	4 programmable motion areas
Noise Reduction	3D DNR / 2D DNR
Language	English
Function	Brightness, Contrast, Mirror, Defective Pixel Correction, Sharpness, Anti-Banding, Smart Light
Lighting Mode	White Light
Interface	
Video Output	Switchable TVI / AHD / CVI / CVBS
General	
Operating Conditions	-40° to 140° F (-40° to 60° C); Humidity: 90% or less (non-condensing)
Power Supply	12 VDC ± 25%, <i>*You are recommended to use one power adapter to supply the power for one camera.</i>
Power Consumption	Max. 4.2 W
Protection Levels	IP67
Materials	Main body: Metal, Enclosure: Plastic
White Light Range	Up to 131 ft (40 m)
Dimensions	Φ 4.33 × 3.87 in. (Φ 109.98 × 98.27 mm)
Weight	Approx. 0.77 lbs (348.5 g)

Dimensions



Accessories

