

CMHR9222NW-28CFN / CMHR9222NW-CFN

Platinum 2 MP Full Color Fixed Bullet Camera

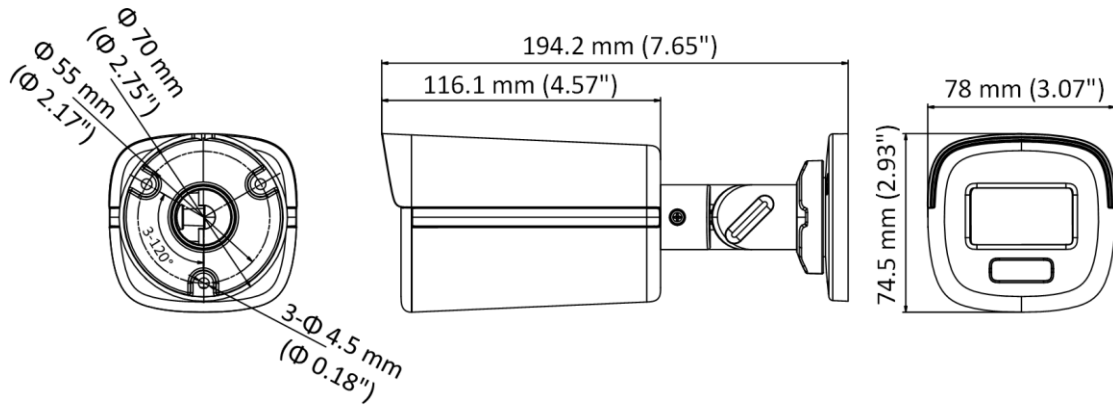


- High quality imaging with 2 MP, 1920 × 1080 resolution
- 24/7 color imaging with F1.0 aperture
- Clear imaging against strong back light thanks to 130 dB true WDR technology
- 3D DNR technology delivers clean and sharp images
- 2.8, 3.6, & 6 mm fixed focal lenses
- Up to 131 ft (40 m) white light distance for bright night imaging
- One port for four switchable signals
- Water and dust resistance (IP67)

Specifications

Camera	
Image Sensor	2 MP CMOS
Signal System	PAL / NTSC
Resolution	1920 (H) × 1080 (V)
Frame Rate	TVI: 1080p @ 25 fps / 30 fps CVI: 1080p @ 25 fps / 30 fps AHD: 1080p @ 25 fps / 30 fps CVBS: PAL/NTSC
Min. Illumination	0.0005 Lux @ (F1.0, AGC on), 0 Lux with white light on
Shutter Speed	PAL: 1/25 to 1/50,000 sec.; NTSC: 1/30 to 1/50,000 sec.
Slow Shutter	Max. 16 times
Lenses	2.8, 3.6, 6 mm Fixed Lens
Field of View	2.8 mm: Horizontal: 98°, vertical: 52°, diagonal: 116° 3.6 mm: Horizontal: 77°, vertical: 42°, diagonal: 91° 6 mm: Horizontal: 51°, vertical: 28°, diagonal: 59°
Lens Mount	M12
Light Alarm	Solid Light Alarm (White Light)
Day & Night	Color
Wide Dynamic Range	≥ 130 dB
Angle Adjustment	Pan: 0° to 360°, Tilt: 0° to 180°, Rotation: 0° to 360°
Menu	
White Light	Auto / Off
Image Mode	STD / HIGH-SAT / HIGHLIGHT
AGC	Yes
Day / Night Mode	Color
White Balance	Auto / Manual
Auto Exposure Mode	WDR, BLC, HLC, Global, HLS
Privacy Mask	4 programmable privacy masks
Motion Detection	4 programmable motion areas
Noise Reduction	3D DNR / 2D DNR
Language	English
Function	Brightness, Contrast, Mirror, Defective Pixel Correction, Sharpness, Anti-Banding, Smart Light
Lighting Mode	White Light
Interface	
Video Output	Switchable TVI / AHD / CVI / CVBS
General	
Operating Conditions	-40° to 140° F (-40° to 60° C); Humidity: 90% or less (non-condensing)
Power Supply	12 VDC ± 25%, <i>*LTS recommends using one power adapter for each camera.</i>
Power Consumption	Max. 4.2 W
Protection Levels	IP67
Materials	Metal
White Light Range	Up to 131 ft (40 m)
Dimensions	7.65 × 3.07 × 2.93 in. (194.2 × 78 × 74.5 mm)
Weight	Approx. 1.13 lbs (514.5 g)

Dimensions



Accessories



LTB345