

CMIP1042W-28MA Platinum 4 MP Fixed Turret Network Camera



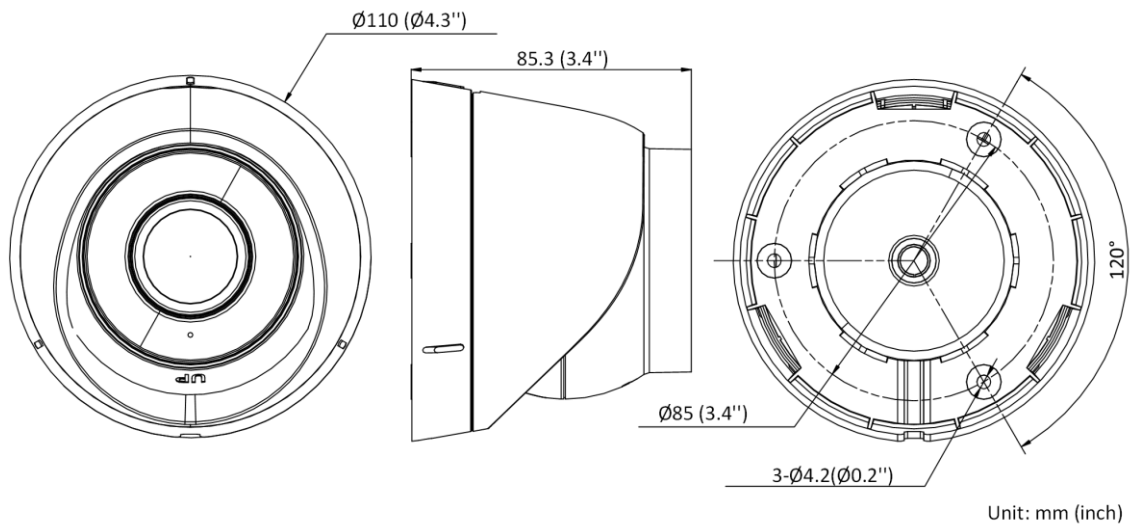
- High quality imaging with 4 MP resolution
- High-efficiency H.265+ compression technology
- Clear imaging even with strong back lighting thanks to 120 dB WDR
- Water and dust resistance (IP67)
- Matrix 2.0: Advanced infrared technology with extended IR range
- Built-in microphone for real-time audio security
- Supports MicroSD card storage up to 256 GB

Specifications

Camera	
Image Sensor	1/3" progressive scan CMOS
Min. Illumination	Color: 0.01 Lux @ (F2.0, AGC on), B/W: 0 Lux with IR
Shutter Speed	1/3 to 1/100,000 sec.
Slow Shutter	Yes
Wide Dynamic Range	120 dB
Day & Night	IR cut filter
Angle Adjustment	Pan: 0° to 360°, tilt: 0° to 75°, rotate: 0° to 360°
Lens	
Focal Length & FOV	2.8 mm; horizontal 98.0°, vertical 53.1°, diagonal 114.7°
Lens Mount	M12
Focus	Fixed
Aperture	F2.0
Illuminator	
IR Wavelength	850 nm
IR Range	Up to 98 ft (30 m)
Video	
Max. Resolution	2560 × 1440
Main Stream	50 Hz: 20 fps (2560 × 1440) 25 fps (2304 × 1296, 1920 × 1080, 1280 × 720) 60 Hz: 20 fps (2560 × 1440) 30 fps (2304 × 1296, 1920 × 1080, 1280 × 720)
Sub-Stream	50 Hz: 25 fps (640 × 480, 640 × 360) 60 Hz: 30 fps (640 × 480, 640 × 360)
Video Compression	Main stream: H.264 / H.265 Sub-stream: H.265 / H.264 / MJPEG
Video Bit Rate	32 Kbps to 8 Mbps
H.264 Type	Baseline Profile / Main Profile / High Profile
H.265 Type	Main Profile
H.264+	Main stream supported
H.265+	Main stream supported
Region of Interest (ROI)	1 fixed region for main stream
Network	
Protocols	TCP/IP, ICMP, HTTP, HTTPS, FTP, DHCP, DNS, DDNS, RTP, RTSP, RTCP, PPPoE, NTP, UPnP™, SMTP, SNMP, IGMP, 802.1X, QoS, IPv6, Bonjour, IPv4, UDP, SSL/TLS
Simultaneous Live View	Up to 6 channels
API	Open Network Video Interface, ISAPI
User / Host	Up to 32 users. 3 levels: administrator, operator and user
Network Storage	NAS (NFS, SMB / CIFS), ANR
Web Browser	Plug-in required live view: IE 10+ Plug-in free live view: Chrome 57.0+, Firefox 52.0+ Local service: Chrome 57.0+, Firefox 52.0+

Imaging	
Image Settings	Saturation, brightness, contrast, sharpness, AGC, white balance adjustable by client software or web browser
Day / Night Switch	Auto, Schedule, Day, Night
Image Enhancement	BLC, 3D DNR
Interface	
Ethernet Interface	1 RJ45 10/100 Mbps self-adaptive Ethernet port
On-Board Storage	Built-in memory card slot supports MicroSD cards up to 256 GB
Built-in Microphone	Yes
Hardware Reset	Yes
Event Types	
Basic Events	Motion detection, video tampering alarm, exception
General	
Linkage Methods	Upload to FTP, notify surveillance center, send email also supports: upload to memory card, trigger recording, trigger capture
Camera Materials	Metal
Camera Dimensions	Ø 4.3 × 3.4 in. (Ø 110 × 85.3 mm)
Package Dimensions	5.9 × 5.9 × 5.6 in. (150 × 150 × 141 mm)
Camera Weight	Approx. 0.7 lbs (320 g)
Package Weight	Approx. 1.2 lbs (556 g)
Storage Conditions	-22° to 140° F (-30° to 60° C); Humidity: 95% or less (non-condensing)
Startup and Operating Conditions	-22° to 140° F (-30° to 60° C); Humidity: 95% or less (non-condensing)
General Functions	Anti-flicker, heartbeat, mirror, password protection, privacy mask, watermark, IP address filter
Power Consumption and Current	12 VDC, 0.4 A, max. 5 W PoE: (802.3 af, 36 V to 57 V), 0.2 A to 0.15 A, max. 6.5 W
Power Supply	12 VDC ± 25% PoE: 802.3 af, Class 3
Power Interface	Ø 5.5 mm coaxial power
Certifications	
EMC	FCC SDoC (47 CFR Part 15, Subpart B); CE-EMC (EN 55032: 2015, EN 61000-3-2: 2014, EN 61000-3-3: 2013, EN 50130-4: 2011 +A1: 2014); RCM (AS/NZS CISPR 32: 2015); IC VoC (ICES-003: Issue 6, 2016); KC (KN 32: 2015, KN 35: 2015)
Safety	UL (UL 60950-1); CB (IEC 60950-1:2005 + Am 1:2009 + Am 2:2013, IEC 62368-1:2014); CE-LVD (EN 60950-1:2005 + Am 1:2009 + Am 2:2013, IEC 62368-1:2014); BIS (IS 13252(Part 1):2010+A1:2013+A2:2015)
Environmental Protections	CE-RoHS (2011/65/EU); WEEE (2012/19/EU); Reach (Regulation (EC) No 1907/2006) IP67 (IEC 60529-2013)

Dimensions



Accessories (Optional)

LTB379	LTB03-W	LTB378	LTB342-110T
Corner Mount	Junction Box	Vertical Pole Mount	Wall Mount
