

CMIP7283W-SDZ

Platinum 8 MP Smart Motorized Varifocal Dome Network Camera



Empowered by deep learning algorithms, our technology brings human and vehicle target classification alarms to front- and back-end devices. The system focuses on human and vehicle targets, vastly improving alarm efficiency and effectiveness.

- High quality imaging with 8 MP resolution
- Motorized varifocal lens for easy installation and monitoring
- High-efficiency H.265+ compression technology
- Clear imaging against strong backlight thanks to 120 dB true WDR technology
- Focus on human and vehicle target classification based on deep learning
- Audio and alarm interface available
- Water and dust resistance (IP67) and vandal-resistance (IK10)

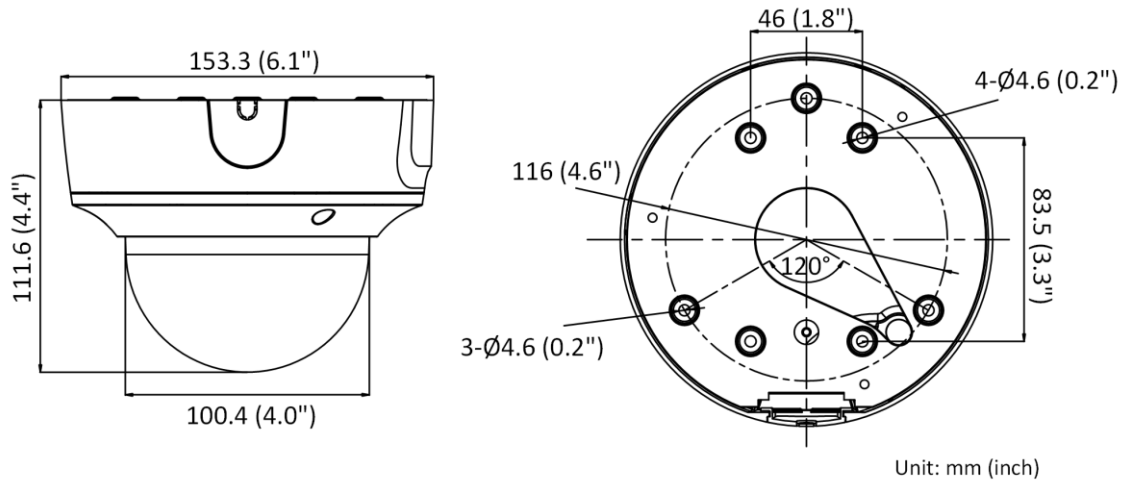
Specifications

Camera	
Image Sensor	1/2.8" Progressive Scan CMOS
Min. Illumination	Color: 0.005 Lux @ (F1.6, AGC on), B/W: 0 Lux with IR
Shutter Speed	1/3 to 1/100,000 sec.
Slow Shutter	Yes
P/N	P/N
Wide Dynamic Range	120 dB
Day & Night	IR cut filter
Angle Adjustment	Pan: 0° to 355°, tilt: 0° to 75°, rotate: 0° to 355°
Lens	
Lens Type	Varifocal lens, motorized lens, 2.8 to 12 mm
Focal Length & FOV	2.8 to 12 mm; Horizontal 108° to 30°, vertical 56° to 17°, diagonal 131° to 35°
Lens Mount	Ø 14
Iris Type	Fixed
Aperture	F1.6
Detection, Observation, Recognition, Identification	
DORI	2.8 to 12 mm: D: 97 m to 290 m, O: 38 m to 115 m, R: 19 m to 58 m, I: 9 m to 29 m
Illuminator	
Supplemental Light Type	IR
Smart Supplemental Lighting	Yes
IR Wavelength	850 nm
IR Range	Up to 131 ft (40 m)
Video	
Max. Resolution	3840 × 2160
Main Stream	50 Hz: 20 fps (3840 × 2160) 25 fps (3200 × 1800, 2688 × 1520, 1920 × 1080, 1280 × 720) 60 Hz: 20 fps (3840 × 2160) 30 fps (3200 × 1800, 2688 × 1520, 1920 × 1080, 1280 × 720)
Sub Stream	50 Hz: 25 fps (640 × 480, 640 × 360) 60 Hz: 30 fps (640 × 480, 640 × 360)
Third Stream	50 Hz: 10 fps (1920 × 1080, 1280 × 720, 640 × 480, 640 × 360) 60 Hz: 10 fps (1920 × 1080, 1280 × 720, 640 × 480, 640 × 360) *Third stream is supported under certain settings.
Video Compression	Main stream: H.264 / H.264+ / H.265 / H.265+ Sub-stream: MJPEG / H.264 / H.265 Third stream: H.264 / H.265 *Third stream is supported under certain settings.
Video Bit Rate	32 Kbps to 16 Mbps
H.264 Type	Baseline Profile/Main Profile/High Profile
H.265 Type	Main Profile
H.264+	Main stream
H.265+	Main stream
Bit Rate Control	CBR/VBR

Scalable Video Coding (SVC)	H.264 and H.265 encoding
Region of Interest (ROI)	1 fixed region for main stream and sub-stream
Audio	
Audio Compression	G.711 ulaw / G.711 alaw / G.722.1 / G.726 / MP2L2 / PCM / MP3 / AAC
Audio Bit Rate	64 Kbps (G.711 ulaw / G.711 alaw) / 16 Kbps (G.722.1) / 16 Kbps (G.726) / 16 Kbps to 64 Kbps (AAC) / 32 to 192 Kbps (MP2L2) / 8 to 320 Kbps (MP3)
Audio Sampling Rate	8 / 16 / 32 / 44.1 / 48 kHz
Environmental Noise Filtering	Yes
Network	
Protocols	TCP/IP, ICMP, HTTP, HTTPS, FTP, DHCP, DNS, DDNS, RTP, RTSP, NTP, UPnP, SMTP, IGMP, 802.1X, QoS, IPv4, IPv6, UDP, Bonjour, SSL/TLS, PPPoE, SNMP
Simultaneous Live View	Up to 6 channels
API	Open Network Video Interface (Profile S, Profile G), ISAPI, SDK
User / Host	Up to 32 users. 3 user levels: administrator, operator and user
Security	Password protection, complicated password, HTTPS encryption, IP address filter, Security Audit Log, basic and digest authentication for HTTP/HTTPS, TLS 1.1/1.2, WSSE and digest authentication for Open Network Video Interface
Network Storage	NAS (NFS, SMB / CIFS), auto network replenishment (ANR)
Web Browsers	Plug-in required live view: IE 10, IE 11 Plug-in free live view : Chrome 57.0+, Firefox 52.0+ Local service: Chrome 57.0+, Firefox 52.0+
Imaging	
Image Parameter Switching	Yes
Image Settings	Rotate, mirror, privacy mask, saturation, brightness, contrast, sharpness, gain, white balance adjustable by client software or web browser
Day / Night Switch	Day, Night, Auto, Schedule
Image Enhancement	BLC, HLC, 3D DNR
SNR	≥ 52 dB
Interface	
Ethernet Interface	1 RJ45 10 M/100 M self-adaptive Ethernet port
On-board Storage	Built-in memory card slot, support micro SD card, up to 256 GB
Audio	1 input (line in), two-core terminal block, max. input amplitude: 3.3 Vpp, input impedance: 4.7 K Ω , interface type: non-equilibrium; 1 output (line out), two-core terminal block, max. output amplitude: 3.3 Vpp, output impedance: 100 Ω , interface type: non-equilibrium
Alarm	1 input, 1 output (max. 24 VDC / 24 VAC, 1 A)
Hardware Reset	Yes
Event Types	
Basic Events	Motion detection (human and vehicle targets classification), video tampering alarm, exceptions / anomalies
Face Detection	Yes
Deep Learning Functions	
Perimeter Protections	Line crossing detection, intrusion detection Supports human and vehicle targets classification

General	
Linkage Method	Upload to FTP / memory card / NAS, notify surveillance center, trigger recording, trigger capture, send email
Camera Materials	Upper cover and base: metal Dome cover: plastic
Camera Dimensions	Ø 6.1 × 4.4 in. (Ø 153.3 × 111.6 mm)
Package Dimensions	9.7 × 6.9 × 6.9 in. (244 × 174 × 173 mm)
Camera Weight	Approx. 1.9 lbs (855 g)
Package Weight	Approx. 3.1 lbs (1,469 g)
Storage Conditions	-22° to 140° F (-30° to 60° C); Humidity 95% or less (non-condensing)
Startup and Operating Conditions	-22° to 140° F (-30° to 60° C); Humidity 95% or less (non-condensing)
Web Client Language (33)	English, Russian, Estonian, Bulgarian, Hungarian, Greek, German, Italian, Czech, Slovak, French, Polish, Dutch, Portuguese, Spanish, Romanian, Danish, Swedish, Norwegian, Finnish, Croatian, Slovenian, Serbian, Turkish, Korean, Traditional Chinese, Thai, Vietnamese, Japanese, Latvian, Lithuanian, Portuguese (Brazil), Ukrainian
General Function	Anti-flicker, heartbeat, password reset via email, pixel counter
Firmware Version	V5.5.113
Software Reset	Yes
Power Consumption and Current	12 VDC, 0.88 A, max. 10.5 W PoE (802.3 af, 36 V to 57 V), 0.35 A to 0.22 A, max. 12.5 W
Power Supply	12 VDC ± 25%, reverse polarity protection PoE: 802.3 af, Class 3
Power Interface	Ø 5.5 mm coaxial power plug
Certifications	
EMC	FCC (47 CFR Part 15, Subpart B); CE-EMC (EN 55032: 2015, EN 61000-3-2: 2014, EN 61000-3-3: 2013, EN 50130-4: 2011 +A1: 2014); RCM (AS/NZS CISPR 32: 2015); IC (ICES-003: Issue 6, 2016); KC (KN 32: 2015, KN 35: 2015)
Safety	UL (UL 60950-1); CB (IEC 60950-1:2005 + Am 1:2009 + Am 2:2013); CE-LVD (EN 60950-1:2005 + Am 1:2009 + Am 2:2013)
Environmental	CE-RoHS (2011/65/EU); WEEE (2012/19/EU); Reach (Regulation (EC) No 1907/2006)
Protections	IP67 (IEC 60529-2013), IK10 (IEC 62262:2002)

Dimensions



Accessories (Optional)

LTB722	LTB781	LTB388	LTB389	LTB342-155
Junction Box	Pendant Mount	Vertical Pole Mount	Corner Mount	Wall Mount
