

CMIP3142W-28SDA

4 MP Smart Fixed Mini Dome Network Camera



Empowered by deep learning algorithms, our technology brings human and vehicle target classification alarms to front- and back-end devices. The system focuses on human and vehicle targets, vastly improving alarm efficiency and effectiveness.

- High quality imaging with 4 MP resolution
- Clear imaging against strong backlight thanks to 120 dB WDR technology
- High-efficiency H.265+ compression technology
- Focus on human and vehicle target classification based on deep learning
- Audio and alarm interface available
- Water and dust resistance (IP67) and vandal resistance (IK08)

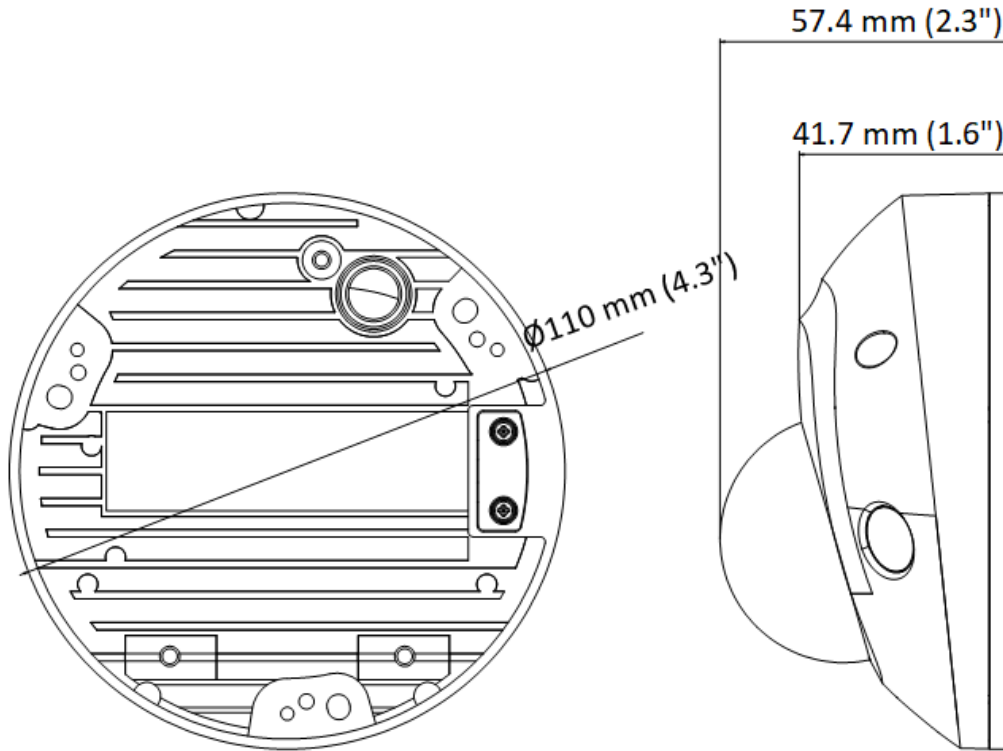
Specifications

Camera	
Image Sensor	1/3" Progressive Scan CMOS
Max. Resolution	2688 × 1520
Shutter Speed	1/3 sec. to 1/100,000 sec.
Min. Illumination	Color: 0.005 Lux @ (F1.6, AGC on), B/W: 0 Lux with IR
Day & Night	IR cut filter
Angle Adjustment	Pan: -30° to 30°, tilt: 0° to 75°, rotate: 0° to 360°
Lens	
Lens Type	Fixed focal lens, 2.8 and 4 mm optional
Focal Length & FOV	2.8 mm: horizontal FOV°, vertical 55.9°, diagonal 123.8° 4 mm: horizontal 83.7°, vertical 43.0°, diagonal 100.3°
Lens Mount	M12
Iris Type	Fixed
Aperture	F1.6
Depth of Field	2.8 mm: 1.4 m to ∞ 4 mm: 1.6 m to ∞
Detection, Observation, Recognition, Identification	
DORI	2.8 mm: D: 210 ft (64 m), O: 82 ft (25 m), R: 42 ft (13 m), I: 20 ft (6 m) 4 mm: D: 278 ft (85 m), O: 111 ft (34 m), R: 55 ft (17 m), I: 29 ft (9 m)
Illuminator	
Supplemental Light Type	IR
Supplemental Light Range	Up to 98 ft (30 m)
Smart Supplemental Lighting	Yes
IR Wavelength	850 nm
Video	
Main Stream	50 Hz: 25 fps (2688 × 1520, 1920 × 1080, 1280 × 720) 60 Hz: 30 fps (2688 × 1520, 1920 × 1080, 1280 × 720)
Sub Stream	50 Hz: 25 fps (640 × 480, 640 × 360) 60 Hz: 30 fps (640 × 480, 640 × 360)
Third Stream	50 Hz: 10 fps (1920 × 1080, 1280 × 720, 640 × 480, 640 × 360) 60 Hz: 10 fps (1920 × 1080, 1280 × 720, 640 × 480, 640 × 360) *Third stream is supported under certain settings.
Video Compression	Main stream: H.265+ / H.265 / H.264+ / H.264 Sub-stream: H.265 / H.264 / MJPEG Third stream: H.265 / H.264 *Third stream is supported under certain settings.
Video Bit Rates	32 Kbps to 8 Mbps
H.264 Type	Baseline Profile / Main Profile / High Profile
H.265 Type	Main Profile
Bit Rate Control	CBR / VBR
Scalable Video Coding (SVC)	H.264 and H.265 encoding
Region of Interest (ROI)	1 fixed region for main stream and sub-stream

Audio	
Environmental Noise Filtering	Yes
Audio Sampling Rates (kHz)	8 / 16 / 32 / 44.1 / 48
Audio Compressions	G.711 ulaw / G.711 alaw / G.722.1 / G.726 / MP2L2 / PCM / MP3 / AAC
Audio Bit Rates	64 Kbps (G.711 ulaw / G.711 alaw) / 16 Kbps (G.722.1) / 16 Kbps (G.726) / 32 to 192 Kbps (MP2L2) / 8 to 320 Kbps (MP3) / 16 to 64 Kbps (AAC)
Network	
Simultaneous Live View	Up to 6 channels
API	Open Network Video Interface (Profile S, Profile G), ISAPI, SDK
Protocols	TCP/IP, ICMP, HTTP, HTTPS, FTP, DHCP, DNS, DDNS, RTP, RTSP, NTP, UPnP, SMTP, IGMP, 802.1X (except for -W model), QoS, IPv6, UDP, Bonjour, SSL/TLS, PPPoE
User / Host	Up to 32 users. 3 user levels: administrator, operator and user
Security	Password protection, complicated password, HTTPS encryption, IP address filter, Security Audit Log, basic and digest authentication for HTTP/HTTPS, TLS 1.1/1.2, WSSE and digest authentication for Open Network Video Interface
Network Storage	NAS (NFS, SMB/CIFS), auto network replenishment (ANR)
Web Browser	Plug-in required live view: IE 10, IE 11 Plug-in free live view : Chrome 57.0+, Firefox 52.0+ Local service: Chrome 57.0+, Firefox 52.0+
Imaging	
Wide Dynamic Range (WDR)	120 dB
SNR	≥ 52 dB
Day / Night Switch	Day, Night, Auto, Schedule
Image Enhancement	BLC, HLC, 3D DNR
Image Parameters Switch	Yes
Image Settings	Rotate, mirror, privacy mask, saturation, brightness, contrast, sharpness, gain, white balance adjustable by client software or web browser
Interface	
Ethernet Interface	1 RJ45 10/100 Mbps self-adaptive Ethernet port
On-Board Storage	Built-in memory card slot, supports MicroSD cards up to 256 GB
Built-in Microphone	Yes
Audio	1 input (line in), two-core terminal block, max. input amplitude: 3.3 Vpp, input impedance: 4.7 K Ω , interface type: non-equilibrium 1 output (line out), two-core terminal block, max. output amplitude: 3.3 Vpp, output impedance: 100 Ω , interface type: non-equilibrium
Alarm	1 input, 1 output (max. 12 VDC, 20 mA)
Reset Key	Yes
Event Types	
Basic Events	Motion detection (human and vehicle target classification), video tampering alarm, exceptions / anomalies
Smart Events	Line crossing, intrusion, and face detections
Linkage	Upload to FTP / NAS / memory card, notify surveillance center, trigger recording, trigger capture, send email

Deep Learning Functions	
Perimeter Protections	Line crossing, intrusion Supports alarm triggering by specified target types (human and vehicle)
General	
Power	12 VDC ± 25%, 0.45 A, max. 5.5 W, Ø 5.5 mm coaxial power plug, reverse polarity protection PoE: 802.3 af, Class 3, 36 V to 57 V, 0.18 A to 0.11 A, max. 6.5 W
Camera Materials	Base: aluminum, cover: plastic
Camera Dimensions	Ø 4.3 × 2.3 in. (Ø 110 × 57.4 mm)
Package Dimensions	5.3 × 5.3 × 4.3 in. (134 × 134 × 108 mm)
Camera Weight	Approx. 0.8 lbs (380 g)
Package Weight	Approx. 1.4 lbs (615 g)
Storage Conditions	-22° to 140° F (-30° to 60° C); Humidity 95% or less (non-condensing)
Startup and Operating Conditions	-22° to 140° F (-30° to 60° C); Humidity 95% or less (non-condensing)
Languages (33)	English, Russian, Estonian, Bulgarian, Hungarian, Greek, German, Italian, Czech, Slovak, French, Polish, Dutch, Portuguese, Spanish, Romanian, Danish, Swedish, Norwegian, Finnish, Croatian, Slovenian, Serbian, Turkish, Korean, Traditional Chinese, Thai, Vietnamese, Japanese, Latvian, Lithuanian, Portuguese (Brazil), Ukrainian
General Functions	Anti-flicker, heartbeat, password reset via email, pixel counter
Certifications	
EMC	FCC (47 CFR Part 15, Subpart B) CE-EMC (EN 55032: 2015, EN 61000-3-2: 2019, EN 61000-3-3: 2013+A1: 2019, EN 50130-4: 2011+A1: 2014) RCM (AS/NZS CISPR 32: 2015) IC (ICES-003: Issue 7) KC (KN32: 2015, KN35: 2015)
Safety	UL (UL 62368-1) CB (IEC 62368-1: 2014+A11) CE-LVD (EN 62368-1: 2014/A11: 2017)
Environmental	CE-RoHS (2011/65/EU) WEEE (2012/19/EU) Reach (Regulation (EC) No 1907/2006)
Electrical Safety Protections	IP67 (IEC 60529-2013) IK8 (IEC 62262:2002)

Dimensions



Unit: mm (inch)

Accessories (Optional)

LTB379 Corner Mount	LTB731 Pendant Mount	LTB316 Wall Mount	LTB347H Junction Box	LTB378 Vertical Pole Mount
				