

CMIP8342W-28MDA Platinum 4 MP Smart Fixed Bullet Network Camera



Empowered by deep learning algorithms, our technology brings human and vehicle target classification alarms to front- and back-end devices. The focus remains on human and vehicle targets, vastly improving alarm efficiency and effectiveness.

- High quality imaging with 4 MP resolution
- Clear imaging against strong backlight thanks to 120 dB WDR technology
- High-efficiency H.265+ compression technology
- Built-in microphone for real-time audio security
- Water and dust resistance (IP67)
- Focus on human and vehicle target classification based on deep learning

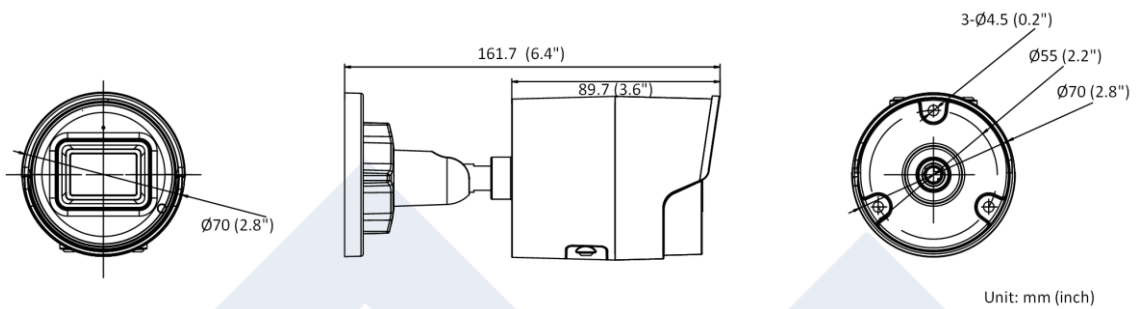
Specifications

Camera	
Image Sensor	1/3" Progressive Scan CMOS
Min. Illumination	Color: 0.005 Lux @ (F1.6, AGC on), 0 Lux with IR on
Shutter Speed	1/3 to 1/100,000 sec.
Slow Shutter	Yes
P/N	P/N
Wide Dynamic Range	120 dB
Day & Night	ICR Cut
Angle Adjustment	Pan: 0° to 360°, tilt: 0° to 90°, rotate: 0° to 360°
Lens	
Lens Type & FOV	2.8 mm: Horizontal 103°, vertical 55°, diagonal 122° 4 mm: Horizontal 84°, vertical 45°, diagonal 100° 6 mm: Horizontal 52°, vertical 28°, diagonal 61°
Aperture	F1.6
Lens Mount	M12
Detection, Observation, Recognition, Identification	
DORI	2.8 mm: D: 67 m, O: 26 m, R: 13 m, I: 6 m 4 mm: D: 80 m, O: 31 m, R: 16 m, I: 8 m 6 mm: D: 120 m, O: 47,m, R: 24,m, I: 12 m
Illuminator	
IR Range	Up to 131 ft (40 m)
Wavelength	850 nm
Video	
Max. Resolution	2688 × 1520
Main Stream	50 Hz: 25 fps (2688 × 1520, 1920 × 1080, 1280 × 720) 60 Hz: 30 fps (2688 × 1520, 1920 × 1080, 1280 × 720)
Sub Stream	50 Hz: 25 fps (640 × 480, 640 × 360) 60 Hz: 30 fps (640 × 480, 640 × 360)
Third Stream	50 Hz: 25 fps (1280 × 720, 640 × 480, 640 × 360) 60 Hz: 30 fps (1280 × 720, 640 × 480, 640 × 360)
Video Compression	Main stream: H.265 / H.264 / H.264+ / H.265+ Sub-stream: H.265 / H.264 / MJPEG Third stream: H.265 / H.264
Video Bit Rate	32 Kbps to 8 Mbps
H.264 Type	Baseline Profile / Main Profile / High Profile
H.265 Type	Main Profile
H.264+	Main Stream supported
H.265+	Main Stream supported
Bit Rate Control	CBR / VBR
Scalable Video Coding (SVC)	Yes
Region of Interest (ROI)	1 fixed region for main stream and sub-stream

Audio	
Environment Noise Filtering	Yes
Audio Sampling Rate (kHz)	8 / 16 / 32 / 44.1 / 48
Audio Compression	G.711 ulaw / G.711 alaw / G.722.1 / G.726 / MP2L2 / PCM / MP3 / AAC
Audio Bit Rate	64 Kbps (G.711 ulaw / G.711 alaw) / 16 Kbps (G.722.1) / 16 Kbps (G.726) / 16 - 64 Kbps (AAC)
Network	
Simultaneous Live View	Up to 6 channels
API	Open Network Video Interface (Profile S, Profile G), ISAPI, SDK
Protocols	TCP/IP, ICMP, HTTP, HTTPS, FTP, DHCP, DNS, DDNS, RTP, RTSP, NTP, UPnP, SMTP, IGMP, 802.1X, QoS, IPv6, UDP, Bonjour, SSL/TLS, PPPoE
User / Host	Up to 32 users. 3 user levels: administrator, operator and user
Security	Password protection, complicated password, HTTPS encryption, IP address filter, Security Audit Log, basic and digest authentication for HTTP/HTTPS, TLS 1.1/1.2, WSSE and digest authentication for Open Network Video Interface
Network Storage	MicroSD / SDHC / SDXC cards (256 GB) for local storage, and NAS(NFS, SMB / CIFS), auto network replenishment (ANR)
Web Browser	Plug-in required live view: IE 10, IE 11 Plug-in free live view : Chrome 57.0+, Firefox 52.0+ Local service: Chrome 57.0+, Firefox 52.0+
Imaging	
Day / Night Switch	Day, Night, Auto, Schedule
Image Enhancement	BLC, HLC, 3D DNR
Image Parameters Switching	Yes
Image Settings	Rotate, mirror, privacy mask, saturation, brightness, contrast, sharpness, gain, white balance adjustable by client software or web browser
Interface	
Built-in Microphone	Yes
On-board Storage	Built-in MicroSD, up to 256 GB
Hardware Reset	Yes
Communication Interface	1 RJ45 10/100 Mbps self-adaptive Ethernet port
Event Types	
Basic Events	Motion detection (human and vehicle targets classification), video tampering alarm, exceptions / anomalies
Face Detection	Yes
Deep Learning Function	
Perimeter Protections	Line crossing detection, intrusion detection Supports human and vehicle targets classification
General	
Linkage Methods	Upload to FTP / memory card / NAS, notify surveillance center, trigger record, trigger capture
Web Client Language (33)	English, Russian, Estonian, Bulgarian, Hungarian, Greek, German, Italian, Czech, Slovak, French, Polish, Dutch, Portuguese, Spanish, Romanian, Danish, Swedish, Norwegian, Finnish, Croatian, Slovenian, Serbian, Turkish, Korean, Traditional Chinese, Thai, Vietnamese, Japanese, Latvian, Lithuanian, Portuguese (Brazil), Ukrainian

General Functions	Anti-flicker, heartbeat, password reset via e-mail, pixel counter
Storage Conditions	-22° to 140° F (-30° to 60° C); Humidity 95% or less (non-condensing)
Startup and Operating Conditions	-22° to 140° F (-30° to 60° C); Humidity 95% or less (non-condensing)
Power Supply	12 VDC ± 25%, reverse polarity protection PoE: (802.3 af, 36 V to 57 V), Class 3
Power Consumption and Current	12 VDC, 0.5 A, max. 6 W PoE (802.3af, 36 V to 57 V), 0.2 A to 0.13 A, max. 7 W
Power Interface	Ø 5.5 mm coaxial power plug
Camera Dimensions	Ø 2.76 × 6.37 in. (Ø 70 × 161.7 mm)
Package Dimensions	8.6 × 4.8 × 4.7 in. (216 × 121 × 118 mm)
Camera Weight	Approx. 1.1 lbs (490 g)
Package Weight	Approx. 1.6 lbs (724 g)
Certifications	
EMC	FCC (47 CFR Part 15, Subpart B); CE-EMC (EN 55032: 2015, EN 61000-3-2: 2014, EN 61000-3-3: 2013, EN 50130-4: 2011 +A1: 2014); RCM (AS/NZS CISPR 32: 2015); IC (ICES-003: Issue 6, 2016); KC (KN 32: 2015, KN 35: 2015)
Safety	UL (UL 60950-1); CB (IEC 60950-1:2005 + Am 1:2009 + Am 2:2013); CE-LVD (EN 60950-1:2005 + Am 1:2009 + Am 2:2013); BIS (IS 13252 (Part 1):2010+A1:2013+A2:2015)
Environmental	CE-RoHS (2011/65/EU); WEEE (2012/19/EU); Reach (Regulation (EC) No 1907/2006)
Protections	IP67 (IEC 60529-2013)

Dimensions



Accessories (Optional)

LTB345

Junction Box

