

CMIP8382W-28MDA
Platinum 8 MP MD 2.0 Fixed Bullet Network Camera



LTS MD 2.0 technology brings human and vehicle target classification to video surveillance products. The system focuses on human and vehicle targets, vastly improving alarm efficiency and effectiveness.

- High quality imaging with 8 MP resolution
- High-efficiency H.265+ compression technology
- Clear imaging against strong backlight thanks to 120 dB WDR
- Focusing on human and vehicle classification
- Built-in microphone for real-time audio security
- Water and dust resistance (IP67)



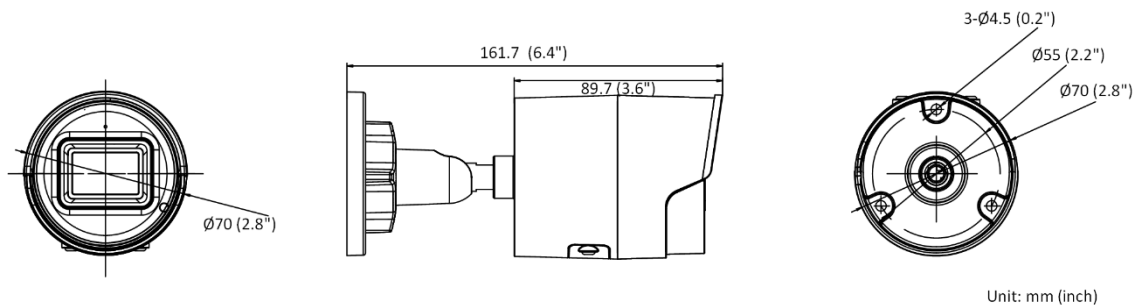
Specifications

Camera	
Image Sensor	1/2.8" Progressive Scan CMOS
Min. Illumination	Color: 0.005 Lux @ (F1.6, AGC on), B/W: 0 Lux with IR
Shutter Speed	1/3 to 1/100,000 sec.
Slow Shutter	Yes
P/N	P/N
Wide Dynamic Range	120 dB
Day & Night	IR cut filter
Angle Adjustment	Pan: 0° to 360°, tilt: 0° to 90°, rotate: 0° to 360°
Lens	
Lens Type	Fixed focal lens, 2.8mm
Focal Length & FOV	2.8 mm: Horizontal 107°, vertical 57°, diagonal 128°
Lens Mount	M12
Iris Type	Fixed
Aperture	F1.6
Detection, Observation, Recognition, Identification	
DORI	D: 88 m, O: 35 m, R: 17 m, I: 9 m
Illuminator	
Supplemental Light Type	IR
Smart Supplemental Lighting	Yes
IR Wavelength	850 nm
IR Range	Up to 40 m
Video	
Max. Resolution	3840 × 2160
Main Stream	20 fps (3840 × 2160) 30 fps (3200 × 1800, 2688 × 1520, 1920 × 1080, 1280 × 720)
Sub-Stream	30 fps (640 × 480, 640 × 360)
Third Stream	10 fps (1920 × 1080, 1280 × 720, 640 × 480, 640 × 360) *Third stream is supported under certain settings.
Video Compression	Main stream: H.265+ / H.265 / H.264+ / H.264 Sub-stream: H.265 / H.264 / MJPEG Third stream: H.265 / H.264 *Third stream is supported under certain settings.
Video Bit Rates	32 Kbps to 16 Mbps
H.264 Type	Baseline Profile / Main Profile / High Profile
H.265 Type	Main Profile
H.264+	Main stream supported
H.265+	Main stream supported
Bit Rate Control	CBR / VBR
Scalable Video Coding (SVC)	H.264 and H.265 encoding
Region of Interest (ROI)	1 fixed region for main stream and sub-stream
Audio	
Audio Compression	G.711 ulaw / G.711 alaw / G.722.1 / G.726 / MP2L2 / PCM / MP3 / AAC
Audio Bit Rates	64 Kbps (G.711 ulaw / G.711 alaw) / 16 Kbps (G.722.1) / 16 Kbps (G.726) / 16 Kbps to 64 Kbps (AAC) / 32 to 192 Kbps (MP2L2) / 8 to 320 Kbps (MP3)

Audio Sampling Rates (kHz)	8 / 16 / 32 / 44.1 / 48
Environment Noise Filtering	Yes
Network	
Protocols	TCP/IP, ICMP, HTTP, HTTPS, FTP, DHCP, DNS, DDNS, RTP, RTSP, NTP, UPnP, SMTP, IGMP, 802.1X, QoS, IPv4, IPv6, UDP, Bonjour, SSL/TLS, PPPoE, SNMP, WebSocket, WebSockets
Simultaneous Live View	Up to 6 channels
API	Open Network Video Interface (Profile S, Profile G), ISAPI, SDK
User / Host	Up to 32 users. 3 user levels: administrator, operator and user
Security	Password protection, complicated password, HTTPS encryption, IP address filter, Security Audit Log, basic and digest authentication for HTTP/HTTPS, TLS 1.1/1.2, WSSE and digest authentication for Open Network Video Interface
Network Storage	NAS (NFS, SMB/CIFS), auto network replenishment (ANR)
Client	NVMS V3, LTS-Connect, XVMS
Web Browser	Plug-in required live view: IE 10, IE 11 Plug-in free live view : Chrome 57.0+, Firefox 52.0+ Local service: Chrome 57.0+, Firefox 52.0+
Imaging	
Image Parameters Switch	Yes
Image Settings	Rotate, mirror, privacy mask, saturation, brightness, contrast, sharpness, gain, white balance adjustable by client software or web browser
Day / Night Switch	Day, Night, Auto, Schedule
Image Enhancement	BLC, HLC, 3D DNR
SNR	≥ 52 dB
Interface	
Ethernet Interface	1 RJ45 10/100 Mbps self-adaptive Ethernet port
On-Board Storage	Built-in memory card slot, supports MicroSD cards up to 256 GB
Built-in Microphone	Yes
Reset Key	Yes
Event Types	
Basic Events	Motion (human and vehicle targets classification), video tampering alarm, exceptions
Face Detection	Yes
Deep Learning Functions	
Perimeter Protections	Line crossing detection, intrusion detection Supports human and vehicle targets classification
General	
Linkage Method	Upload to FTP / memory card / NAS, notify surveillance center, trigger recording, trigger capture, send email
Materials	Aluminum alloy body IR cover: plastic
Dimensions	∅ 2.8 × 6.4 in. (∅ 70 × 161.7 mm)
Package Dimensions	8.6 × 4.8 × 4.7 in. (216 × 121 × 118 mm)
Weight	Approx. 1.1 lbs (495 g)
Package Weight	Approx. 1.7 lbs (759 g)
Storage, Startup and Operating Conditions	-22° to 140° F (-30° to 60° C); Humidity 95% or less (non-condensing)

General Function	Anti-flicker, heartbeat, password reset via email, pixel counter
Firmware Version	V5.5.113
Software Reset	Yes
Power Consumption and Current	12 VDC, 0.5 A, max. 6 W PoE (802.3 af, 36 V to 57 V), 0.2 A to 0.13 A, max. 7.2
Power Supply	12 VDC \pm 25%, reverse polarity protection PoE: 802.3af, Class 3
Power Interface	\varnothing 5.5 mm coaxial power plug
Certifications	
EMC	FCC (47 CFR Part 15, Subpart B); CE-EMC (EN 55032: 2015, EN 61000-3-2: 2014, EN 61000-3-3: 2013, EN 50130-4: 2011 +A1: 2014); RCM (AS/NZS CISPR 32: 2015); IC (ICES-003: Issue 6, 2016); KC (KN 32: 2015, KN 35: 2015)
Safety	UL (UL 60950-1); CB (IEC 60950-1:2005 + Am 1:2009 + Am 2:2013); CE-LVD (EN 60950-1:2005 + Am 1:2009 + Am 2:2013); BIS (IS 13252(Part 1):2010+A1:2013+A2:2015)
Environmental	CE-RoHS (2011/65/EU); WEEE (2012/19/EU); Reach (Regulation (EC) No 1907/2006)
Protections	IP67 (IEC 60529-2013)

Dimensions



Accessories (Optional)

