

## CMIP9382W-28MD / CMIP9382W-MD Platinum 8 MP Smart Fixed Bullet Network Camera



Empowered by deep learning algorithms, our technology brings human and vehicle target classification alarms to front- and back-end devices. The system focuses on human and vehicle targets, vastly improving alarm efficiency and effectiveness.

- High quality imaging with 8 MP resolution
- High-efficiency H.265+ compression technology
- Clear imaging against strong backlight thanks to 120 dB WDR technology
- Focusing on human and vehicle classification based on deep learning
- Water and dust resistance (IP67)

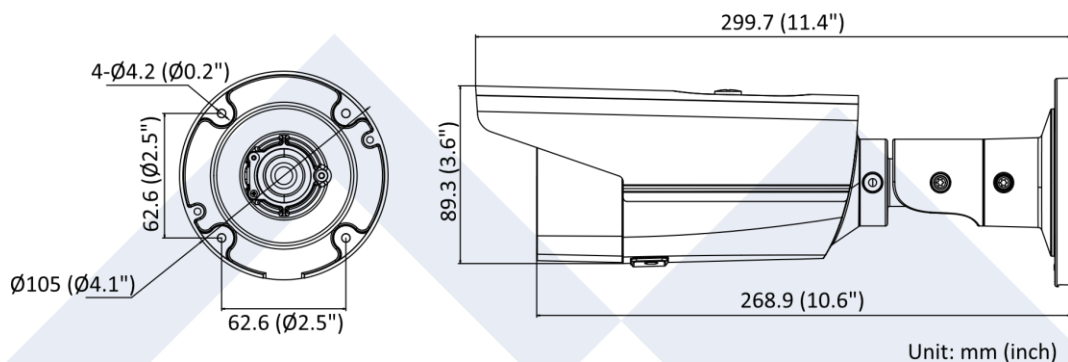
## Specifications

Camera	
Image Sensor	1/2.8" Progressive Scan CMOS
Min. Illumination	Color: 0.005 Lux @ (F1.6, AGC on), B/W: 0 Lux with IR
Shutter Speed	1/3 to 1/100,000 sec.
Slow Shutter	Yes
P/N	P/N
Wide Dynamic Range	120 dB
Day & Night	IR cut filter
Angle Adjustment	Pan: 0° to 360°, tilt: 0° to 90°, rotate: 0° to 360°
Lenses	
Lens Type	Fixed focal lens, 2.8, 4, and 6 mm optional
Focal Length & Field of View	2.8 mm: Horizontal 107°, vertical 57°, diagonal 128° 4 mm: Horizontal 87°, vertical 46°, diagonal 105° 6 mm: Horizontal 54°, vertical 29°, diagonal 63°
Lens Mount	M12
Iris Type	Fixed
Aperture	F1.6
Detection, Observation, Recognition, Identification	
DORI	2.8 mm: D: 88 m, O: 35 m, R: 17 m, I: 9 m 4 mm: D: 108 m, O: 43 m, R: 22 m, I: 11 m 6 mm: D: 177 m, O: 70 m, R: 35 m, I: 18 m
Illuminator	
Supplemental Light Type	IR
Smart Supplemental Lighting	Yes
IR Wavelength	850 nm
IR Range	up to 197 ft (60 m)
Video	
Max. Resolution	3840 × 2160
Main Stream	50 Hz: 20 fps (3840 × 2160) 25 fps (3200 × 1800, 2688 × 1520, 1920 × 1080, 1280 × 720) 60 Hz: 20 fps (3840 × 2160) 30 fps (3200 × 1800, 2688 × 1520, 1920 × 1080, 1280 × 720)
Sub-Stream	50 Hz: 25 fps (640 × 480, 640 × 360) 60 Hz: 30 fps (640 × 480, 640 × 360)
Third Stream	50 Hz: 10 fps (1920 × 1080, 1280 × 720, 640 × 480, 640 × 360) 60 Hz: 10 fps (1920 × 1080, 1280 × 720, 640 × 480, 640 × 360) *Third stream is supported under certain settings.
Video Compression	Main stream: H.264 / H.264+ / H.265 / H.265+ Sub-stream: MJPEG / H.264 / H.265 Third stream: H.264 / H.265 *Third stream is supported under certain settings.
Video Bit Rate	32 Kbps to 16 Mbps
H.264 Type	Baseline Profile / Main Profile / High Profile
H.265 Type	Main Profile

H.264+	Main stream
H.265+	Main stream
Bit Rate Control	CBR / VBR
Scalable Video Coding (SVC)	H.264 and H.265 encoding
Region of Interest (ROI)	1 fixed region for main stream and sub-stream
<b>Network</b>	
Protocols	TCP/IP, ICMP, HTTP, HTTPS, FTP, DHCP, DNS, DDNS, RTP, RTSP, NTP, UPnP, SMTP, IGMP, 802.1X, QoS, IPv4, IPv6, UDP, Bonjour, SSL/TLS, PPPoE, SNMP
Simultaneous Live View	Up to 6 channels
API	Open Network Video Interface (Profile S, Profile G), ISAPI, SDK
User / Host	Up to 32 users. 3 user levels: administrator, operator and user
Security	Password protection, complicated password, HTTPS encryption, IP address filter, Security Audit Log, basic and digest authentication for HTTP / HTTPS, TLS 1.1 / 1.2, WSSE and digest authentication for Open Network Video Interface
Network Storage	NAS (NFS, SMB / CIFS), auto network replenishment (ANR)
Web Browser	Plug-in required live view: IE 10, IE 11 Plug-in free live view: Chrome 57.0+, Firefox 52.0+ Local service: Chrome 57.0+, Firefox 52.0+
<b>Imaging</b>	
Image Parameters Switch	Yes
Image Settings	Rotate, mirror, privacy mask, saturation, brightness, contrast, sharpness, gain, white balance adjustable by client software or web browser
Day / Night Switch	Day, Night, Auto, Schedule
Image Enhancement	BLC, HLC, 3D DNR
SNR	≥ 52 dB
<b>Interface</b>	
Ethernet Interface	1 RJ45 10 M/100 M self-adaptive Ethernet port
On-Board Storage	Built-in memory card slot supports MicroSD cards up to 256 GB
Reset Key	Yes
<b>Event Types</b>	
Basic Events	Motion detection (human and vehicle targets classification), video tampering alarm, exceptions / anomalies
Face Detection	Yes
<b>Deep Learning Functions</b>	
Perimeter Protections	Line crossing detection, intrusion detection Supports human and vehicle targets classification
<b>General</b>	
Linkage Method	Upload to FTP / memory card / NAS, notify surveillance center, trigger recording, trigger capture, send email
Materials	Aluminum alloy body Sun shield, IR cover: plastic
Dimensions	∅ 4.13 × 11.53 in. (∅ 105 × 293 mm)
Package Dimensions	15.2 × 6.2 × 6.2 in. (386 × 156 × 155 mm)
Weight	Approx. 2.4 lbs (1,090 g)
Shipping Weight	Approx. 3.5 lbs (1,590 g)
Storage Conditions	-30 °C to 60 °C (-22 °F to 140 °F). Humidity 95% or less (non-condensing)

Startup and Operating Conditions	-22° to 140° F (-30° to 60° C); Humidity 95% or less (non-condensing)
Languages (33)	English, Russian, Estonian, Bulgarian, Hungarian, Greek, German, Italian, Czech, Slovak, French, Polish, Dutch, Portuguese, Spanish, Romanian, Danish, Swedish, Norwegian, Finnish, Croatian, Slovenian, Serbian, Turkish, Korean, Traditional Chinese, Thai, Vietnamese, Japanese, Latvian, Lithuanian, Portuguese (Brazil), Ukrainian
General Functions	Anti-flicker, heartbeat, password reset via email, pixel counter
Software Reset	Yes
Power Consumption and Current	12 VDC, 0.67 A, max. 8.0W PoE (802.3 af, 36 V to 57 V), 0.25 A to 0.16 A, max. 9.0 W
Power Supply	12 VDC ± 25%, reverse polarity protection PoE: 802.3 af, Class 3
Power Interface	Ø 5.5 mm coaxial power plug
<b>Certifications</b>	
EMC	FCC (47 CFR Part 15, Subpart B); CE-EMC (EN 55032: 2015, EN 61000-3-2: 2014, EN 61000-3-3: 2013, EN 50130-4: 2011 +A1: 2014); RCM (AS/NZS CISPR 32: 2015); IC (ICES-003: Issue 6, 2016); KC (KN 32: 2015, KN 35: 2015)
Safety	UL (UL 60950-1); CB (IEC 60950-1:2005 + Am 1:2009 + Am 2:2013); CE-LVD (EN 60950-1:2005 + Am 1:2009 + Am 2:2013)
Environmental	CE-RoHS (2011/65/EU); WEEE (2012/19/EU); Reach (Regulation (EC) No 1907/2006)
Protections	IP67 (IEC 60529-2013)

## Dimensions



## Accessories (Optional)

LTB379 Corner Mount	LTB378 Vertical Pole Mount	LTB801 Junction Box
		