

## CMIP9243W-SZ

### Platinum 4 MP 25 × IR Varifocal Bullet Network Camera



- High quality imaging with 4 MP resolution
- 25x optical zoom captures details in remote area
- Clear imaging against strong back light due to 140 dB WDR technology
- High-efficiency H.265+ compression technology to save bandwidth and storage
- Built-in gyroscope to ensure stable image output
- Water and dust resistance (IP67), vandal resistance (IK10)

## Functionality

### Face Recognition

With embedded deep learning-based algorithms, the camera provides the best shot of a target's face image through detecting, tracking, capturing, grading, and selecting. The camera captures a face and outputs features such as gender, age, and expression. The camera makes use of a face exposure function to dynamically adjust exposure of captured images and ensures high picture quality.

### Perimeter Protection

Using embedded deep learning-based target detection and classification algorithms, the camera provides perimeter protection, monitoring activity such as line crossing, intrusion, region entrance, and region exiting. The algorithms greatly filter out the false alarms caused by falling leaves, light changes, animals, waving flags, etc.

### Multi-Target-Type Recognition

This camera detects and captures faces, human bodies, and vehicles in a specified region and transmits metadata that includes gender, age, clothing color, and vehicle type.



## Specifications

Camera	
Image Sensor	1/2.5" Progressive Scan CMOS
Max. Resolution	2688 × 1520
Min. Illumination	Color: 0.009 Lux @ (F1.6, AGC on), B&W: 0.0018 Lux @ (F1.6, AGC on), 0 Lux with IR
Shutter Time	1 to 1/30,000 sec.
Day & Night	IR cut filter
Angle Adjustment	Pan: 0° to 355°, tilt: 0° to 90°, rotate: 0° to 360°
Lens	
Focal Length & Field of View	4.7 to 118 mm: Horizontal 55.8° to 2.8°, vertical 32.3° to 1.6°, diagonal 63° to 3°
Focus	Auto, semi-auto, manual
Iris Type	P-iris
Aperture	4.7 to 118 mm: F1.6 to F3.8
Illuminator	
Supplemental Light Type	IR
Supplemental Light Range	Up to 656 ft (200 m)
Smart Supplemental Lighting	Yes
IR Wavelength	850 nm
Video	
Main Stream	50 Hz: 25 fps (2688 × 1520, 2560 × 1440, 1920 × 1080, 1280 × 720) 50 fps (2560 × 1440, 1920 × 1080, 1280 × 720) 60 Hz: 30 fps (2688 × 1520, 2560 × 1440, 1920 × 1080, 1280 × 720) 60 fps (2560 × 1440, 1920 × 1080, 1280 × 720)
Sub-Stream	50 Hz: 25 fps (704 × 576, 640 × 480) 60 Hz: 30 fps (704 × 480, 640 × 480)
Third Stream	50 Hz: 25 fps (1920 × 1080, 1280 × 720, 704 × 576, 640 × 480) 60 Hz: 30 fps (1920 × 1080, 1280 × 720, 704 × 480, 640 × 480)
Fourth Stream	50 Hz: 25 fps (704 × 576, 640 × 480) 60 Hz: 30 fps (704 × 480, 640 × 480)
Fifth Stream	50 Hz: 25 fps (704 × 576, 640 × 480) 60 Hz: 30 fps (704 × 480, 640 × 480)
Video Compression	Main stream: H.264 / H.264+ / H.265 / H.265+ Sub-stream / Fourth stream / Fifth stream: MJPEG / H.264 / H.265 Third stream: H.264 / H.265
Video Bit Rate	32 Kbps to 8 Mbps
H.264 Type	Baseline Profile / Main Profile / High Profile
H.265 Type	Main Profile
Bit Rate Control	CBR / VBR
Scalable Video Coding (SVC)	H.264 and H.265 encoding
Region of Interest (ROI)	4 fixed regions for each stream
Target Cropping	Yes
e-PTZ	Supports Patrol and Auto-tracking settings
Audio	
Audio Compression	G.711 / G.722.1 / G.726 / MP2L2 / PCM / AAC / MP3

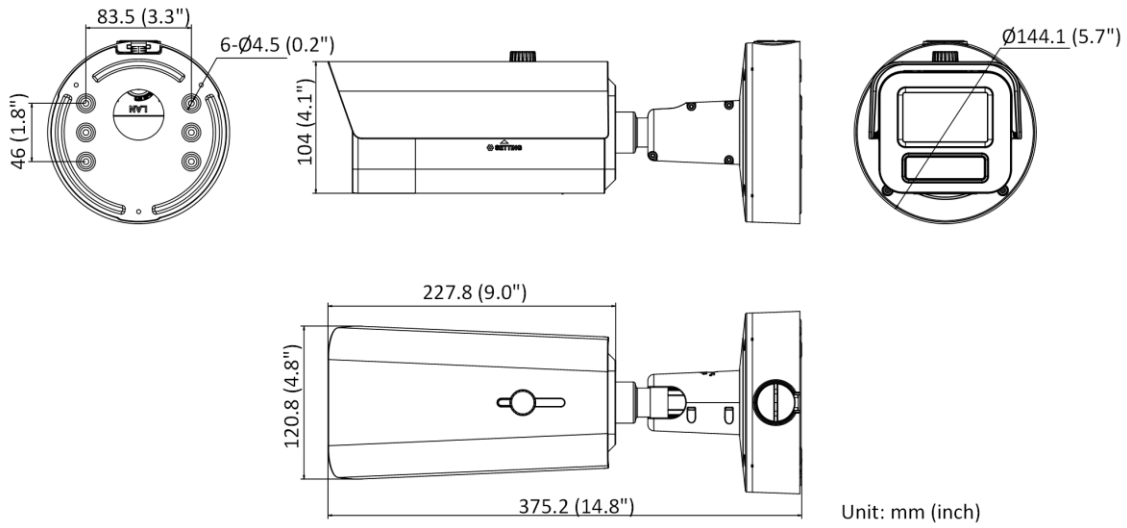
Audio Type	Mono
Audio Sampling Rate	8 / 16 / 32 / 44.1 / 48 kHz
Environmental Noise Filtering	Yes
Audio Bit Rate	64 Kbps (G.711) / 16 Kbps (G.722.1) / 16 Kbps (G.726) / 32 to 192 Kbps (MP2L2) / 16 to 64 Kbps (AAC) / 8 to 320 Kbps (MP3)
<b>Network</b>	
Protocols	TCP/IP, ICMP, HTTP, HTTPS, FTP, SFTP, SRTP, DHCP, DNS, DDNS, RTP, RTSP, RTCP, PPPoE, NTP, UPnP, SMTP, SNMP, IGMP, 802.1X, QoS, IPv6, UDP, Bonjour, SSL/TLS
Simultaneous Live View	Up to 20 channels
API	Open Network Video Interface (PROFILE S, PROFILE G, PROFILE T), ISAPI, SDK, ISUP
User / Host	Up to 32 users 3 user levels: Administrator, operator, and user
Security	Password protection, complicated password, HTTPS encryption, 802.1X authentication (EAP-TLS, EAP-LEAP, EAP-MD5), watermark, IP address filter, basic and digest authentication for HTTP / HTTPS, WSSE and digest authentication for Open Network Video Interface, RTP / RTSP OVER HTTPS, Control Timeout Settings, Security Audit Log, TLS 1.2
Network Storage	NAS (NFS, SMB / CIFS), auto network replenishment (ANR)
Web Browsers	Plug-in required live view: IE 10+ Plug-in free live view: Chrome 57.0+, Firefox 52.0+, Safari 12+ Local service: Chrome 57.0+, Firefox 52.0+
<b>Imaging</b>	
Image Parameter Switching	Yes
Image Settings	Saturation, brightness, contrast, sharpness, white balance, and AGC adjustable by client software or web browser
Day / Night Switch	Day, Night, Auto, Schedule
Wide Dynamic Range (WDR)	140 dB
Image Enhancement	BLC, HLC, Defog, 3D DNR
SNR	≥ 52 dB
Privacy Mask	8 programmable polygon privacy masks, mask color or mosaic configurable
Picture Overlay	LOGO picture can be overlaid on video with 128 × 128 24-bit .bmp format
Image Stabilization	EIS (Built-in gyroscope to improve EIS performance)
<b>Interface</b>	
Video Output	1 Vp-p Composite Output (75 Ω / CVBS) (Only for debugging)
Ethernet Interface	1 RJ45 10/100/1000 Mbps self-adaptive Ethernet port
On-Board Storage	Built-in memory card slot supports MicroSD / SDHC / SDXC cards up to 256 GB
Audio	1 input (line in), 3.5 mm connector, max. input amplitude: 3.3 vpp, input impedance: 4.7 KΩ, interface type: non-equilibrium; 1 output (line out), 3.5 mm connector, max. output amplitude: 3.3 vpp, output impedance: 100 Ω, interface type: non-equilibrium
Alarm	2 inputs, 2 outputs (max. 24 VDC, 1 A)
Reset Key	Yes

Event Types	
Basic Events	Motion detection (support alarm triggering by specified target types (human and vehicle)), video tampering alarm, exceptions / anomalies (network disconnected, IP address conflict, illegal login, abnormal reboot, HDD full, HDD error), video quality diagnosis, vibration detection
Smart Events	Line crossing detection, intrusion detection, region entrance, region exiting (support alarm triggering by specified target types (human and vehicle)); Scene change, audio anomaly, & defocus detections
Linkage	Upload to FTP / NAS / memory card, notify surveillance center, send email, trigger alarm output, trigger recording, trigger capture
Deep Learning Functions	
Multi-target-type Detections	Detects up to 60 targets simultaneously Supports simultaneous detection and capture of human bodies, faces, and vehicles Detects 7 face features, 13 human body features and 2 vehicle features
Face Capture	1. Detects up to 60 faces simultaneously 2. Supports swing left and right from -60° to 60°, tilt up and down from -30° to 30° 3. Uploads face with background and closed-up face pictures
Face Comparison	Up to 10 face libraries. Up to 150,000 faces for each library. 150,000 faces in total. Supports face library encryption
General	
Power	12 VDC ± 20%, 1.02 A, max. 12.22 W, two-core terminal block 24 VAC ± 20%, 0.8 A, max. 11.49 W, two-core terminal block PoE: 802.3at, Type 2, Class 4, 42.5 V to 57 V, 0.20 A to 0.26 A, max. 10.50 W
Materials	Aluminum alloy body
Dimensions	∅ 5.7 × 14.8 in. (∅ 144.1 × 375.2 mm)
Package Dimensions	16.7 × 7.5 × 7.1 in. (425 × 190 × 180 mm)
Weight	Approx. 4.7 lbs (2,130 g)
Package Weight	Approx. 7.1 lbs (3,200 g)
Storage Conditions	-22° to 140° F (-30° to 60° C); Humidity 95% or less (non-condensing)
Startup and Operating Conditions	-22° to 140° F (-30° to 60° C); Humidity 95% or less (non-condensing)
Languages (33)	English, Russian, Estonian, Bulgarian, Hungarian, Greek, German, Italian, Czech, Slovak, French, Polish, Dutch, Portuguese, Spanish, Romanian, Danish, Swedish, Norwegian, Finnish, Croatian, Slovenian, Serbian, Turkish, Korean, Traditional Chinese, Thai, Vietnamese, Japanese, Latvian, Lithuanian, Portuguese (Brazil), Ukrainian
General Functions	5 streams, heartbeat, mirror, privacy mask, flash log, password reset via email, pixel counter
Certifications	
EMC	FCC (47 CFR Part 15, Subpart B) CE-EMC (EN 55032: 2015, EN 61000-3-2:2019, EEN 61000-3-3:2013+A1:2019, EN 50130-4: 2011+A1: 2014) RCM (AS/NZS CISPR 32: 2015) IC (ICES-003: Issue 7) KC (KN 32: 2015, KN 35: 2015)

Safety	<ul style="list-style-type: none"> <li>UL (UL 62368-1)</li> <li>CB (IEC 62368-1:2014+A11)</li> <li>CE-LVD (EN 62368-1:2014/A11:2017)</li> <li>BIS (IS 13252(Part 1):2010/ IEC 60950-1 : 2005)</li> <li>LOA (IEC / EN 60950-1)</li> </ul>
Environmental	<ul style="list-style-type: none"> <li>CE-RoHS (2011/65/EU)</li> <li>WEEE (2012/19/EU)</li> <li>Reach (Regulation (EC) No 1907/2006)</li> </ul>
Protections	IK10 (IEC 62262:2002), IP67 (IEC 60529-2013)
Other	PVC FREE



## Dimensions



## Accessories (Optional)

LTB389	LTB388
Corner Mount	Vertical Pole Mount
