

CMIP7943WLPR-32R

Platinum 4 MP LPR IR Varifocal Bullet Network Camera



- High quality imaging with 4 MP resolution
- Excellent low-light performance via Ultra-low light technology
- Clear imaging against strong back light thanks to 140 dB WDR technology
- License plate recognition
- Efficient H.265+ compression technology to reduce bandwidth and storage usage
- 5 streams to meet a wide variety of applications
- Water and dust resistant (IP67) and vandal proof (IK10)

Functionality

Road Traffic and Vehicle Detection

With embedded AI-based license plate capture and recognition algorithms, this camera alone is capable of plate capture and recognition. The algorithm enjoys the high recognition accuracy of both common and complex-structured plates, which is a great step forward compared to traditional algorithms. Block-lists and allow-lists are available for plate categorization and alarm triggering as well.

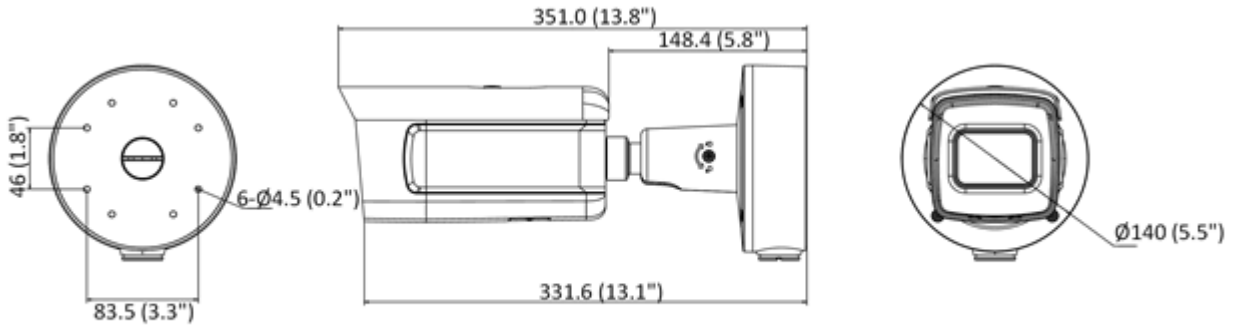
Specifications

Camera	
Image Sensor	1/1.8" Progressive Scan CMOS
Max. Resolution	2688 × 1520
Min. Illumination	Color: 0.0005 Lux @ (F1.2, AGC on) B & W: 0.0001 Lux @ (F1.2, AGC on), 0 Lux with IR
Shutter Time	1 sec. to 1/100,000 sec.
Day & Night	IR cut filter Blue glass module to reduce ghost phenomenon
Lens	
Field of View	Horizontal: 42.5° to 15.1°, vertical: 23.3° to 8.64°, diagonal: 49.6° to 17.3°
Focus	Auto, semi-auto, manual
Iris Type	P-iris
Aperture	8 to 32 mm: F1.7 to F1.73
Detection, Observation, Recognition, Identification	
DORI	8 mm: D: 150.3 m, O: 59.7 m, R: 30.1 m, I: 15 m 32 mm: D: 400 m, O: 158.7 m, R: 80 m, I: 40 m
Illuminator	
Supplemental Light Type	IR
Supplemental Light Range	100 m
Smart Supplemental Lighting	Yes
IR Wavelength	850 nm
Video	
Main Stream	30 fps (2688 × 1520, 2560 × 1440, 1920 × 1080, 1280 × 720)
Sub-Stream	30 fps (704 × 480, 640 × 480)
Third Stream	30 fps (1920 × 1080, 1280 × 720, 704 × 480, 640 × 480)
Fourth Stream	30 fps (1920 × 1080, 1280 × 720, 704 × 480, 640 × 480)
Fifth Stream	30 fps (704 × 480, 640 × 480)
Video Compression	Main stream: H.265+ / H.265 / H.264+ / H.264 Sub-stream / Third stream / Fourth stream / Fifth stream: H.265 / H.264 / MJPEG
Video Bit Rate	32 Kbps to 8 Mbps
H.264 Type	Baseline Profile / Main Profile / High Profile
H.265 Type	Main Profile
Bit Rate Control	CBR / VBR
Scalable Video Coding (SVC)	H.265 and H.264 encoding
Region of Interest (ROI)	4 fixed regions for each stream
Target Cropping	Yes

Network	
Protocols	TCP/IP, ICMP, HTTP, HTTPS, FTP, SFTP, SRTP, DHCP, DNS, DDNS, RTP, RTSP, RTCP, PPPoE, NTP, UPnP, SMTP, SNMP, IGMP, 802.1X, QoS, IPv6, UDP, Bonjour, SSL/TLS
Simultaneous Live View	Up to 20 channels
API	Open Network Video Interface (PROFILE S, PROFILE G, PROFILE T), ISAPI, SDK, ISUP
User / Host	Up to 32 users. 3 user levels: administrator, operator, and user
Security	Password protection, complicated password, HTTPS encryption, 802.1X authentication (EAP-TLS, EAP-LEAP, EAP-MD5), watermark, IP address filter, basic and digest authentication for HTTP/HTTPS, WSSE and digest authentication for Open Network Video Interface, RTP/RTSP OVER HTTPS, Control Timeout Settings, Security Audit Log, TLS 1.2
Network Storage	NAS (NFS, SMB/CIFS), auto network replenishment (ANR)
Client	NVMS V3, LTS-Connect, X-VMS
Web Browser	Plug-in required live view: IE 8+ Plug-in free live view: Chrome 57.0+, Firefox 52.0+, Safari 11+ Local service: Chrome 41.0+, Firefox 30.0+
Image	
Image Parameters Switch	Yes
Image Settings	Saturation, brightness, contrast, sharpness, gain, white balance adjustable by client software or web browser
Day / Night Switch	Day, Night, Auto, Schedule, Alarm Trigger, Video Trigger
Wide Dynamic Range (WDR)	140 dB
SNR	≥ 52 dB
Image Enhancement	BLC, HLC, Defog, 3D DNR
Picture Overlay	LOGO picture can be overlaid on video with 128 × 128, 24-bit .bmp format
Image Stabilization	EIS
Interface	
Video Output	1 Vp-p Composite Output (75 Ω/CVBS) (Only for debugging)
Ethernet Interface	1 RJ45 10 M/100 M/1000 M self-adaptive Ethernet port
On-Board Storage	Built-in memory card slot, supports MicroSD / SDHC / SDXC cards, up to 256 GB
Alarm	2 input, 2 outputs (max. 24 VDC, 1 A)
Reset Key	Yes
Event Types	
Basic Events	Motion detection, video tampering alarm, exception/anomaly (network disconnected, IP address conflict, illegal login, abnormal reboot, HDD full, HDD error), video quality diagnosis, vibration detection
Smart Events	Intrusion, scene change, audio exception/anomaly, and defocus detections Line crossing detection, up to 4 lines can be configured Intrusion detection, up to 4 regions can be configured Region entrance detection, up to 4 regions can be configured Region exiting detection, up to 4 regions can be configured
Linkage	Upload to FTP / NAS / memory card, notify surveillance center, send email, trigger alarm output, trigger recording, trigger capture

Deep Learning Functions	
Perimeter Protections	Line crossing, intrusion, region entrance, region exit Supports alarm triggering by specified target types
Road Traffic and Vehicle Detections	Block-lists and allow-lists, up to 10,000 records Captures vehicle with no license plate Supports license plate recognition of motorcycles (only in checkpoint scenario) Supports vehicle attribute detection, including vehicle type, color, brand, etc. (City Street mode is recommended.)
Metadata	Metadata of road traffic is supported
General	
Power	12 VDC ± 20%, 1.19 A, max. 14.28 W, three-core terminal block PoE: 802.3 at, Type 2, Class 4, 42.5 to 57 V), 0.396 to 0.295 A, max. 16.8 W
Material	Aluminum alloy body
Dimensions	∅ 5.5 × 13.8 in. (∅140 × 351 mm)
Package Dimensions	15.9 × 7.5 × 7.1 in. (405 × 190 × 180 mm)
Weight	Approx. 4.2 lbs (1,950 g)
Package Weight	Approx. 6.7 lbs (3,070 g)
Storage Conditions	-22° to 140° F (-30° to 60° C). Humidity 95% or less (non-condensing)
Startup and Operating Conditions	-40° to 140° F (-40° to 60° C). Humidity 95% or less (non-condensing)
General Functions	Anti-flicker, 5 streams, EPTZ, heartbeat, mirror, privacy mask, flash log, password reset via email, pixel counter
Certifications	
EMC	FCC (47 CFR Part 15, Subpart B) CE-EMC (EN 55032: 2015, EN 61000-3-2:2019, EEN 61000-3-3:2013+A1:2019, EN 50130-4: 2011 + A1: 2014) RCM (AS / NZS CISPR 32: 2015) IC (ICES-003: Issue 7) KC (KN 32: 2015, KN 35: 2015)
Safety	UL (UL 62368-1) CB (IEC 62368-1: 2014 + A11) CE-LVD (EN 62368-1:2014 / A11:2017) BIS (IS 13252 (Part 1): 2010 / IEC 60950-1: 2005) LOA (IEC / EN 60950-1)
Environmental	CE-RoHS (2011 / 65 / EU) WEEE (2012 / 19 / EU) Reach (Regulation (EC) No 1907/2006)
Protections	K10 (IEC 62262:2002), IP67 (IEC 60529-2013)
Automotive and Railway	EN50121-4
Other	PVC FREE

Dimensions



Accessories (Optional)

LTB388	LTB389
Pole Mount	Corner Mount
