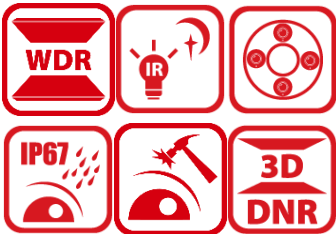


CMIP7553W4-SZ8

Platinum 4-Direction Multi-sensor Network Camera



- Adjustable lenses in one camera cover up to 360 degrees in the field of view and the monitoring tilt angle can be adjusted, ensuring no blind spots
- Four 5 MP lenses capture clear images and transmit more details on a video wall
- Clear imaging against strong back by way of 120 dB true WDR technology
- Water and dust resistant (IP67) and vandalism resistant (IK10)
- 3D DNR technology delivers clean and sharp images
- Audio and alarm interface available

Specifications

Camera	
Image Sensor	1/2.7" Progressive Scan CMOS
Max. Resolution	2560 × 1920
Min. Illumination	Color: 0.0125 Lux @ (F1.9, AGC on) B/W: 0.0025 Lux @ (F1.9, AGC on), 0 Lux with IR
Shutter Time	1 sec. to 1/100,000 sec.
Day & Night	IR cut filter
Angle Adjustment	Pan: -60° to 60°, tilt: 10° to 90°, rotate: 0° to 350°
Lenses	
Lens Type	Varifocal, motorized lenses, 2.8 to 8 mm
Focal Length & FOV	2.8 to 8 mm; FOV: horizontal 100° to 49°, vertical 72° to 36.4°, diagonal 134.4° to 61.4°
Lens Mount	Ø 14
Focus	Semi-auto, Manual
Aperture	F1.9
Illuminator	
Supplement Light Type	IR
Supplement Light Range	Up to 98 ft (30 m)
IR Wavelength	850 nm
Video	
Main Stream	15 fps (2560 × 1920, 2048 × 1536, 1920 × 1080, 1280 × 720)
Sub-Stream	15 fps (704 × 480, 640 × 480)
Third Stream	8 fps (1920 × 1080, 1280 × 720, 704 × 480, 640 × 480)
Video Compressions	Main stream: H.265+ / H.265 / H.264+ / H.264 Sub-stream: H.265 / H.264 / MJPEG, Third stream: H.265 / H.264
Video Bit Rates	32 Kbps to 16 Mbps
H.264 Type	Baseline Profile, Main Profile, High Profile
H.265 Type	Main Profile
Scalable Video Coding (SVC)	H.264 encoding
Region of Interest (ROI)	4 fixed regions for each stream
Target Cropping	Yes
Audio	
Audio Compressions	G.711 / G.722.1 / G.726 / MP2L2 / PCM
Audio Bit Rates	64 Kbps (G.711) / 16 Kbps (G.722.1) / 16 Kbps (G.726) / 32 to 192 Kbps (MP2L2) / 32 Kbps (PCM)
Audio Sampling Rates	8, 16, 32, 44.1, 48 kHz
Environmental Noise Filtering	Yes
Network	
Protocols	TCP/IP, ICMP, HTTP, HTTPS, FTP, DHCP, DNS, DDNS, RTP, RTSP, RTCP, PPPoE, NTP, UPnP, SMTP, SNMP, IGMP, 802.1X, QoS, IPv6, UDP, Bonjour
Simultaneous Live View	Up to 20 channels
API	Open Network Video Interface (Profile S, Profile G, Profile T), ISAPI, SDK

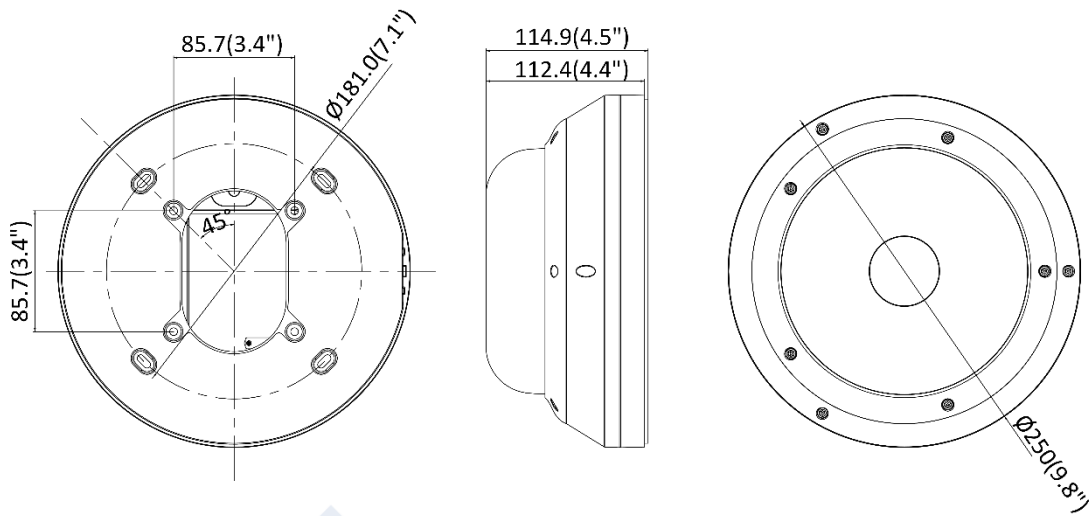
User / Host	Up to 32 users 3 user levels: administrator, operator, and user
Security	Password protection, complicated password, HTTPS encryption, 802.1X authentication (EAP-MD5), watermark, IP address filter, basic and digest authentication for HTTP/HTTPS, WSSE and digest authentication for Open Network Video Interface
Network Storage	NAS (NFS, SMB / CIFS), Auto Network Replenishment (ANR)
Client	NVMS V3, LTS Connect, XVMS
Web Browser	Internet Explorer 8+, Chrome 41.0 - 44, Firefox 30.0 - 51, Safari 8.0 - 11
Image	
Image Settings	Rotate mode, saturation, brightness, contrast, sharpness, AGC, and white balance are adjustable by client software or web browser
Day / Night Switch	Day, Night, Auto, Schedule, Alarm Trigger
Wide Dynamic Range (WDR)	120 dB
SNR	≥ 52 dB
Image Stabilization	EIS
Image Enhancement	BLC, HLC, 3D DNR, Defog
Picture Overlay	LOGO picture can be overlaid on video with 128 × 128 24 bit .bmp format
Interface	
Ethernet Interface	1 x RJ45 10 M/100 M/1000 M Ethernet port
On-board Storage	Built-in memory card slot, supports microSD / microSDHC / microSDXC cards up to 128 GB
Audio	1 x input (line in), 1 x output (line out), 3.5 mm three-contact
Alarm	2 x inputs, 2 outputs (max. 24 VDC, 1 A)
RS-485	1 x RS-485 (Half duplex, Hikvision, Pelco-P, Pelco-D, self-adaptive)
Reset Key	Yes
Events	
Basic Events	Motion detection, video tampering alarm, exception (network disconnected, IP address conflict, illegal login, HDD full, HDD error)
Smart Events	Line crossing detection, intrusion detection, region entrance detection, region exiting detection, unattended baggage detection, object removal detection, scene change detection, audio anomaly detection, defocus detection
Linkage	Upload to FTP / NAS / memory card, notify surveillance center, send email, trigger alarm output, trigger recording, trigger capture
General	
Power	12 VDC ± 20%, 1.8 A, 22 W, reverse polarity protection, three-core terminal block 24 VAC ± 20%, 1.4 A, 22 W PoE: IEEE 802.3 at, Class 4, 42.5 to 57 VDC, 0.44 to 0.33 A, 19 W
Materials	Bubble & IR cover: plastic, camera: metal
Dimensions	Ø9.8 × 4.5 in. (Ø250 × 114.9 mm)
Package Dimensions	13.2 × 10.3 × 11.5 in. (336 × 261 × 293 mm)
Weight	Approx. 4.9 lbs (2.2 kg)
Package Weight	Approx. 8.6 lbs (3.9 kg)
Storage Conditions	-22° to 140° F (-30° to 60° C). Humidity 95% or less (non-condensing)
Startup and Operating Conditions	-22° to 140° F (-30° to 60° C). Humidity 95% or less (non-condensing)
General Functions	Anti-banding, heartbeat, mirror, privacy mask

Certifications	
EMC	CE-EMC: EN 55032:2015+A1:2020, EN 50130-4:2011+A1:2014, EN IEC 61000-3-2:2019+A1:2021, EN 61000-3-3:2013+A1:2019+A2:2021, RCM: AS/NZS CISPR 32: 2015, IC: ICES-003: Issue 7, KC: KN32: 2015, KN35: 2015
Safety	UL: UL 62368-1, CB: IEC 62368-1: 2014+A11, CE-LVD: EN 62368-1: 2014/A11: 2017
Environmental	CE-RoHS: 2011/65/EU
Protection Ratings	IP67: IEC 60529-2013, IK10: IEC 62262:2002

Detection, Observation, Recognition, Identification Specs

DORI	Detect	Observe	Recognize	Identify
Distance (Wide)	60 m	23 m	12 m	6 m
Distance (Tele)	120 m	47 m	24 m	12 m

Dimensions



Accessories (connection cap included in camera package)

LTB762 Wall mount	LTB751/LTB751-20 Pendant mount
