

PTZIP4C44W-X25IR Platinum 4 MP 25× IR Network Speed Dome



The PTZIP4C44W-X25IR 4 MP 25x IR Network Speed Dome utilizes a 1/2.8" progressive scan CMOS chip. With the 25x optical zoom lens, the camera offers more details over expansive areas. This series of cameras can be used in a wide range of high-definition applications, such as rivers, roads, railways, airports, squares, parks, scenic spots, venues, etc.

- Captures a large area and zoomed-in details at the same time
- High quality imaging with 4 MP resolution
- Excellent low-light performance
- Secures an expansive area with 25x optical zoom and 16x digital zoom
- Supports WDR, HLC, BLC, 3D DNR, defog, regional exposure, and regional focus
- Expansive night view with up to 328 ft (100 m) IR distance & 98 ft (30 m) white light
- Supports 12 VDC & PoE+ power sources

Specifications

Camera	
Image Sensors	[Fixed channel]: 1/3" Progressive Scan CMOS [PTZ channel]: 1/2.8" progressive scan CMOS
Min. Illumination	[Fixed channel]: 0.0005 Lux @ (F1.0, AGC on), 0 Lux with light; [PTZ channel]: Color: 0.005 Lux @ (F1.6, AGC on), B&W: 0.001 Lux @ (F1.6, AGC on), 0 Lux with IR
Shutter Speed	1 to 1/30,000 sec.
Slow Shutter	Yes
Focus	Semi-auto, manual, auto
Zoom	[PTZ channel] 25x optical, 16x digital
Day & Night	ICR
Day / Night Switch	Day, night, auto, scheduled-switch
White Balance	Auto, ATW, sodium lamp, fluorescent lamp, indoor, outdoor, MWB, Locked WB
Max. Resolution	[Fixed channel] 2560 × 1440, [PTZ channel] 2560 × 1440
Lens	
Focal Length	[Fixed channel]: 2.8 mm; [PTZ channel]: 4.8 to 120 mm, 25x optical
Zoom Speed	[PTZ channel]: Approx. 3.6 sec.
Field of View	[Fixed channel]: Horizontal: 96.1°, Vertical: 52.1°, Diagonal: 113.3° [PTZ channel]: Horizontal: 55° to 2.4° (wide-tele), Vertical: 33° to 1.4° (wide-tele), Diagonal: 61.5° to 2.8° (wide-tele)
Aperture	[Fixed channel]: F1.0; [PTZ channel]: F1.6
Illuminator	
Supplemental Light Types	[PTZ channel]: IR; [Fixed channel]: White Light
Smart Supplemental Lighting	Yes
Supplemental Light Range	[PTZ channel]: up to 328 ft (100 m); [Fixed channel]: up to 98 ft (30 m)
Functionality	
Movement Range (Pan)	360°
Movement Range (Tilt)	-15° to 90° (auto flip)
Pan Speed	Pan speed: configurable from 0.1° to 80°/sec.; preset speed: 80°/sec.
Tilt Speed	Tilt speed: configurable from 0.1° to 80°/sec., preset speed 80°/sec.
Proportional Zoom	Yes
Presets	300
Patrol Scan	8 patrols, up to 32 presets for each patrol
Pattern Scan	4 pattern scans
Power-off Memory	yes
Park Action	Preset, pattern scan, patrol scan, auto scan, tilt scan, random scan, frame scan, panorama scan
3D Positioning	Yes
PTZ Status Display	Yes
Preset Freezing	Yes

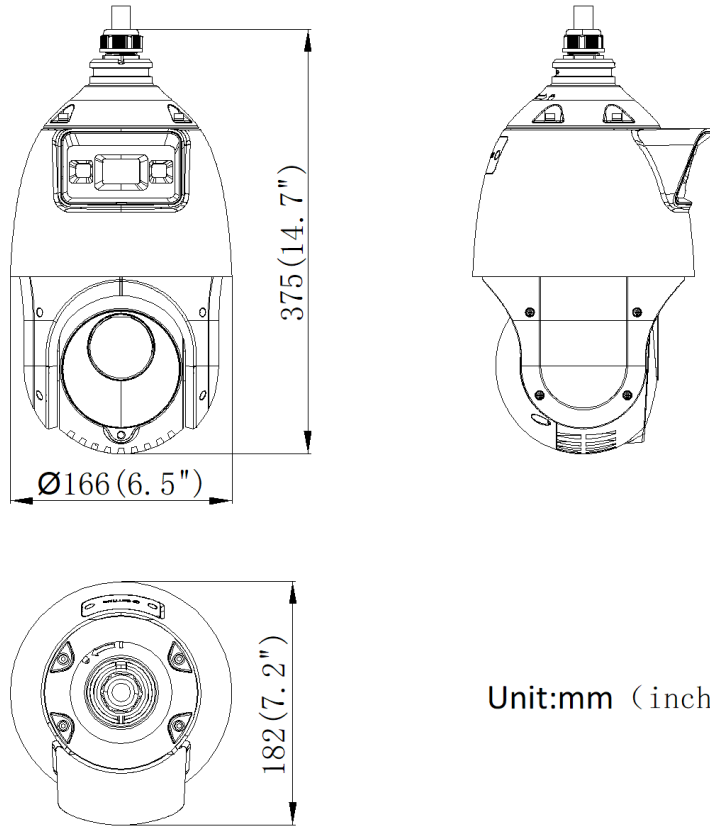
Scheduled Tasks	Preset, pattern scan, patrol scan, auto scan, tilt scan, random scan, frame scan, panorama scan, dome reboot, dome adjust, aux output
Anomaly Detections	IP address conflict, HDD full, illegal login, HDD error, network disconnected, Abnormal Reboot
Video	
Region of Interest (ROI)	8 fixed regions for each stream
Stream Type	Main stream, sub-stream, third stream
Main Stream	[Fixed channel]: 30 fps (2560 × 1440, 1920 × 1080, 1280 × 960, 1280 × 720) [PTZ channel]: 30 fps (2560 × 1440, 1920 × 1080, 1280 × 960, 1280 × 720)
Sub-Stream	[Fixed channel]: 30 fps (704 × 480, 640 × 480, 352 × 240) [PTZ channel]: 30 fps (704 × 480, 640 × 480, 352 × 240)
Third Stream	[Fixed channel]: 30 fps (1920 × 1080, 1280 × 960, 1280 × 720, 704 × 480, 640 × 480, 352 × 240) [PTZ channel]: 30 fps (1920 × 1080, 1280 × 960, 1280 × 720, 704 × 480, 640 × 480, 352 × 240)
Video Compression	H.265, H.264, MJPEG
Video Bit Rate	32 kbps to 16,384 kbps
H.264 Type	Baseline profile, main profile, high profile
H.265 Type	Main profile
H.264+	Yes
H.265+	Yes
SVC	Yes
Audio	
Audio Compression	G.711, G.722.1, G.726, MP2L2, PCM, AAC-LC
Audio Bit Rate	32 to 160 Kbps (MP2L2), 16 to 64 Kbps (AAC-LC)
Audio Sampling Rate	8, 16, 32, 48 kHz
Environmental Noise Filtering	Yes
Smart Features	
Smart Recording	ANR, Dual-VCA
Network	
API	Open Network Video Interface (Profile S, Profile G, Profile T), ISAPI, SDK, ISUP
Network Storage	NAS (NFS, SMB / CIFS), ANR
Protocols	IPv4/IPv6, HTTP, HTTPS, 802.1x, Qos, FTP, SMTP, UPnP, SNMP, DNS, DDNS, NTP, RTSP, RTCP, R TP, TCP/IP, UDP, IGMP, ICMP, DHCP, PPPoE, Bonjour, WebSocket, WebSockets
Simultaneous Live View	20
User / Host	32
Security Measures	Authenticated username and password, MAC address binding, HTTPS encryption, 802.1X authenticated access, IP address filter
Web Browsers	IE 10+, Chrome 57+, Firefox 52+, Safari 12+
Imaging	
Image Settings	Sharpness, saturation, brightness, contrast
Wide Dynamic Range (WDR)	120 dB

SNR	≥ 52 dB
Defog	Digital defog
Image Stabilization	EIS
Image Enhancement	BLC, HLC, 3D DNR
Regional Focus	Yes
Regional Exposure	Yes
Image Parameters Switch	Yes
Privacy Mask	[Fixed channel] 8 programmable polygon privacy masks [PTZ channel] 24 programmable polygon privacy masks; mask color or mosaic
Interface	
Communication Interface	RJ45, self-adaptive 10M/100M Ethernet port
On-board Storage	Built-in memory card slot supports MicroSD / SDHC / SDXC up to 256 GB
Alarm Input	1 alarm input
Alarm Output	1 alarm output
Audio Input	1 audio input, 2.0 to 2.4 Vp-p, 1k Ohm ± 10%
Audio Output	1 audio output, line level, impedance: 600 Ω
Event Types	
Basic Events	Motion detection, video tampering alarm, alarm input and output, exception
Smart Events	Audio anomaly detection, line crossing detection, intrusion detection, region entrance detection, region exiting detection
Alarm Linkage	Upload to FTP / NAS / memory card, notify surveillance center, send email, trigger alarm output, trigger recording
Smart Tracking	Manual tracking, auto-tracking
Deep Learning Functions	
Face Capture	[fixed channel] no, [PTZ channel] yes
General	
General Functions	Mirror, password protection, watermark, IP address filter
Power	12VDC, PoE+
Power Consumption and Current	Max. 24 W, including max. 2.6 W for heater and max. 11 W for supplement light
Operating Conditions	-22° to 149° F (-30° to 65° C), humidity lower than 90%RH
Reset	Yes
Demist	Demist by heating the glass
Materials	ADC12
Dimensions	∅ 6.5 × 14.7 in. (∅ 166 × 375 mm)
Weight	Approx. 13.2 lbs (2.4 kg)
Certifications	
Protections	IP66 Standard, 6,000 V Lightning Protection, Surge Protection and Voltage Transient Protection

Detection, Observation, Recognition, Identification

DORI	Detect	Observe	Recognize	Identify
Definition	25 px/m	63 px/m	125 px/m	250 px/m
Distance (Tele)	7,217.85 ft (2,200.0 m)	2,864.17 ft (873.0 m)	1,443.57 ft (440.0 m)	721.78 ft (220.0 m)

Dimensions



Unit:mm (inch)

Accessories

LTB751(-20) Pendant Mount	LTB212 Wall Mount
	