

CMHD7322WE-28F Platinum 2 MP Ultra-Low Light Dome Camera



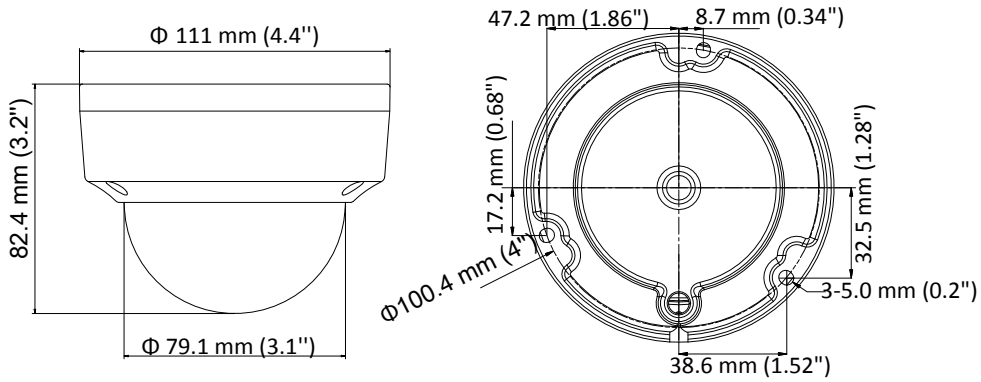
Key Features

- 2 MP high performance COMS
- Ultra-low light
- 1920 × 1080 resolution
- 2.8 mm fixed focal lens
- 130 dB true WDR, 3D DNR
- Matrix IR 2.0, smart IR, up to 98 ft (30 m) IR distance
- 4-in-1 switchable video output
- IP67, IK10 protections
- OSD Menu via UTC technology with Platinum DVR

Specifications

Camera	
Image Sensor	2.0 megapixel progressive scan CMOS
Signal System	PAL/NTSC
Frame Rate	PAL: 1080p @ 25 fps NTSC: 1080p @ 30 fps
Resolution	1920 (H) × 1080 (V)
Min. illumination	Color: 0.003 Lux @ (F1.2, AGC ON), 0 Lux with IR
Shutter Time	PAL: 1/25 to 1/50, 000 sec. NTSC: 1/30 to 1/50, 000 sec.
Lens	2.8 mm fixed focal lens
Horizontal Field of View	104° (2.8 mm)
Lens Mount	M12
Day & Night	IR cut filter
Wide Dynamic Range (WDR)	≥ 130 dB
Angle Adjustment	Pan: 0° to 355°, Tilt: 0° to 75°, Rotate: 0° to 355°
Menu	
Image Mode	STD / HIGH-SAT
AGC	Supported
Day/Night Mode	Auto / Color / B & W
White Balance	Auto / Manual
Auto Exposure (AE) Mode	WDR / BLC / HLC / Global
Privacy Mask	4 programmable privacy masks
Motion Detection	4 programmable motion areas
Noise Reduction (NR)	3D / 2D
Language	English
Functions	Brightness, Sharpness, Mirror, Smart IR, HLC
Interface	
Video Output	Switchable TVI / AHD / CVI / CVBS
General	
Operating Conditions	-40° to 140° F (-40° to 60° C); humidity: 90% or less (non-condensation)
Power Supply	12 VDC ± 25% <i>*LTS recommends using one power adapter for each camera.</i>
Power Consumption	Up to 3.4 W
Protection Levels	IP67, IK10
Materials	Metal
IR Range	Up to 98 ft (30 m)
Communication	Up the coax, TVI output
Dimensions	∅ 4.4 × 3.2 in. (∅ 111 × 82.4 mm)
Weight	Approx. 1.08 lbs (492 g)

Dimensions



Accessories



LTB349
Inclined Ceiling Mount



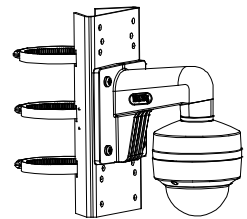
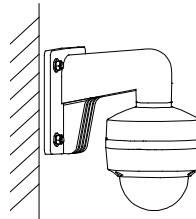
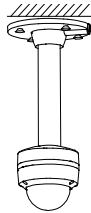
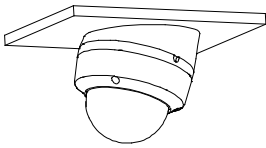
LTB376
Pendant Mount



LTB342-110B
Wall Mount



LTB758
Vertical Pole Mount



LTB347
Junction Box



LTB348
Wall Mount

