

4 MP Pro-X LPR

LXIP9943LPR-50R



Key Features

- Resolutions up to 4 MP (2688 × 1520) @ 30 fps
- 1/1.8" CMOS image sensor
- Min. illumination 0.002 Lux @ f1.3
- Built-in IR LED, Matrix IR LED up to 98 feet
- H.264H / H.265 video compression
- 96 dB True WDR, 3D DNR
- Intelligent license plate recognition algorithm
- Supports alarm and audio interfaces
- Built-in TF card slot for on-board storage up to 256 GB
- 12 VDC / PoE+ power supply
- IP67 protection rating
- Integrated junction box makes installation easy

Specifications

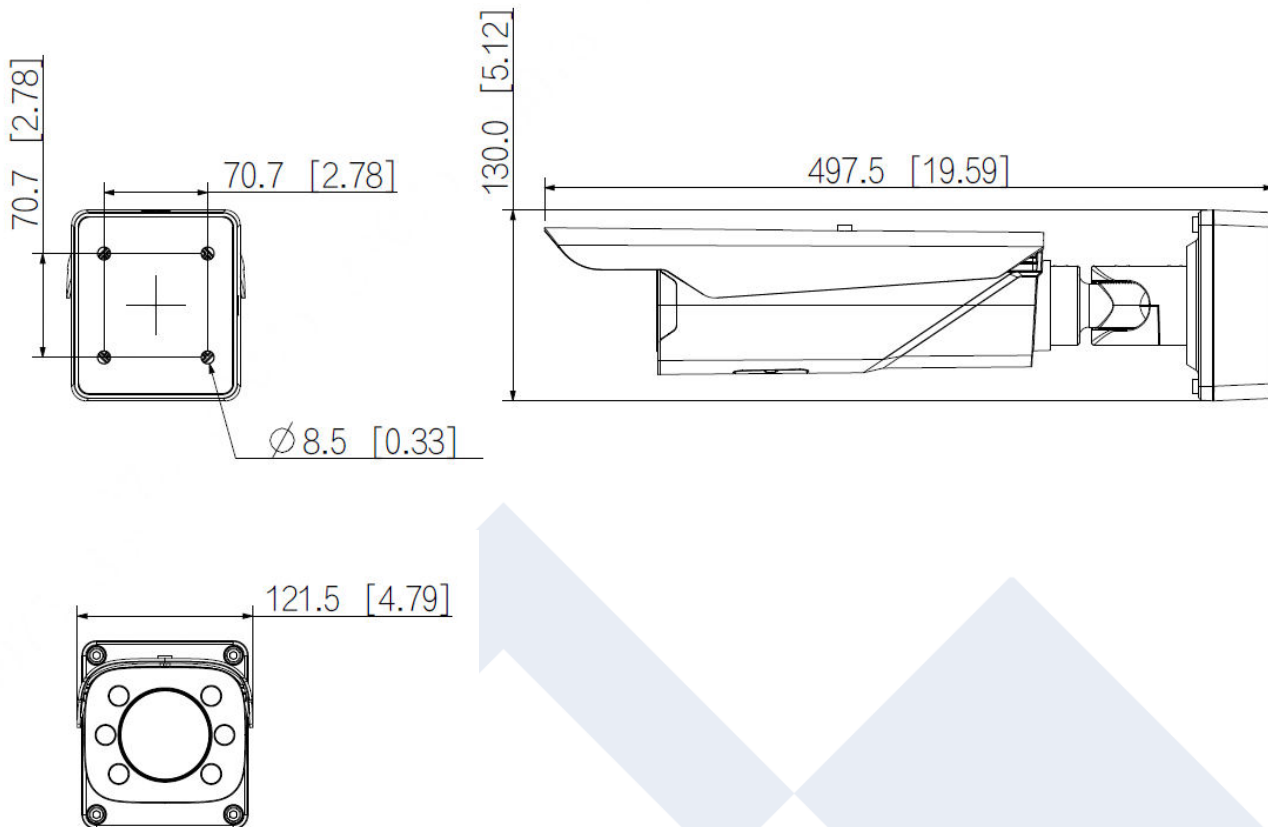
LXIP9943LPR-50R

Camera	
Image Sensor	1/1.8" 4 MP progressive CMOS
Min. Illumination	0.002 Lux @ f1.3, 0 Lux with IR light on
Shutter Speed	Auto / Manual 1/25 - 1/10,000 sec.
Noise Reduction	3D NR
Wide Dynamic Range	96 dB
Lens Type	Vari-focal 10 - 50 mm
Field of View	Horizontal: 40.55° - 9.33°, Vertical: 22.7° - 5.3°, Diagonal: 46.6° - 10.63°
Illuminator	6 (IR LED)
Illumination Range	98.43 ft (30 m)
Video	
Video Compression	MJPEG, H.264H, H.264M, H.265
Resolutions	4 MP (2688 × 1520), UXGA (1600 × 1200), 1080p (1920 × 1080), 720p (1280 × 720), 960H (960 × 480), D1 (704 × 480), CIF (352 × 240)
Video Frame Rates	Main stream: 2688 × 1520 @ 1 - 30 fps Sub stream: 1280 × 720 @ 1 - 30 fps
Video Stream	2 streams
Video Bit Rates	H.264H / H.264M: 2,615 Kbps - 15,689 Kbps H.265: 2,615 Kbps - 15,689 Kbps MJPEG: 7,845 Kbps - 47,068 Kbps
Image Encoding Format	JPEG
License Plate Recognition	
Capture Distance	Approx. 25 - 100 ft (8 - 30 m)
Detection Width	20 - 25 ft (6 - 7 m)
Max. Detection Speed	37.28 mph (60 kph)
Intelligence	
Vehicle Detection	Supported
Vehicle Recognition	Support for recognizing vehicle types, colors, driver features, and front-seat passenger, licensed/unlicensed vehicle
Video Metadata	Supported
Alarm Events	No storage card, storage card full, storage card error, network disconnection, IP conflict, and illegal access
Network	
Security	Authorized user name and password, MAC address binding, HTTPS encryption, IEEE 802.1x, and network access control
Storage	Single built-in TF card port (supports up to 256 GB)
Automatic Network Replenishment (ANR)	Supported
Interface	
Audio I/O	1 channel (RCA port) out
Alarm I/O	2 channel in (on-off input), 2 channel out
Network	RJ-45 (100/1000 Mbps Ethernet port)

RS-485	2 channel
Wiegand	1 channel
General	
Power	12 VDC / PoE+, < 20 W
Housing	Metal + plastic cover
Dimensions	19.58 × 4.79 × 5.12" (497.4 × 121.6 × 130 mm)
Operating Conditions	-22° to 149° F (-30° to 65° C), less than 90% RH
Protections	IP67
Net Weight	7.05 lb (3.2 kg)
Gross Weight	11.46 lb (5.2 kg)
Certifications	FCC

Dimensions (mm [inch])

mm [inch]



Accessories

Pendant & wall mounts can be used with integrated junction box. Optional accessory is for pole mounting.

