

8 MP Pro-X Intelligent Color Series

LXIP3C82W-28MDA



Key Features

- Resolutions up to 8 MP (3840 × 2160) @30 fps
- 1/1.8" CMOS image sensor
- Min. Illumination 0.0005 Lux @ f1.0, 0 Lux with white light
- Built-in warm supplemental light LED, Matrix warm light LED up to 98 feet
- Smart encoding H.264 / H.265
- 130 dB True WDR, 3D DNR, HLC, BLC
- MD 2.0 focuses on persons & vehicles
- Intelligent Analytics: Face detection, people counting, heat map etc
- Supports X-Search (works with Pro AI Series NVR LXN9xxxD)
- Built-in mic
- Built-in MicroSD card slot, up to 512 GB
- 12 VDC / PoE power supply, X-POE
- IP67 protection rating

Specifications

LXIP3C82W-28MDA

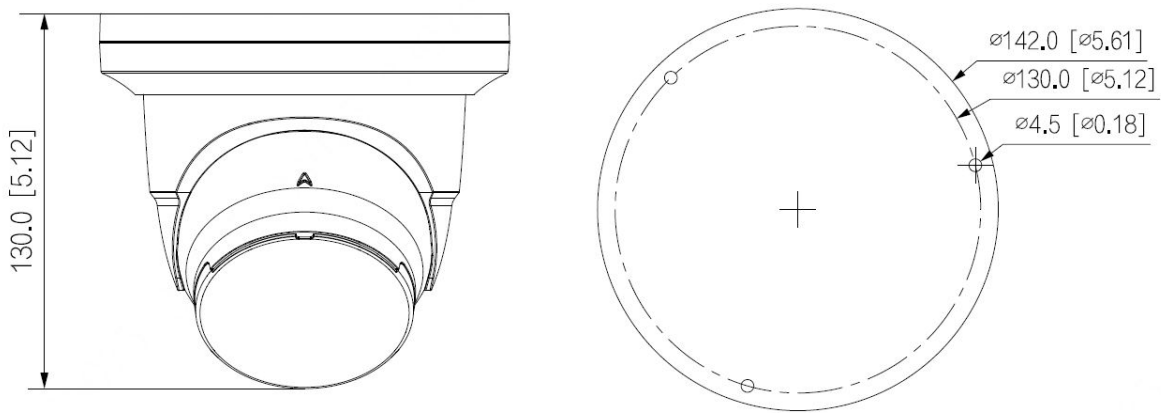
Camera	
Image Sensor	1/1.8" 8 MP progressive CMOS
Min. Illumination	0.0005 Lux @ f1.0, 0 Lux with White light
Shutter Speed	Auto / Manual 1/3 - 1/100, 000 sec.
S/N Ratio	> 56 dB
Noise Reduction	3D NR
Wide Dynamic Range	130 dB
Day & Night Imaging	Color / B&W
Angle Adjustment	Pan: 0° - 360°, Tilt: 0° - 78°, Rotation: 0° - 360°
Lens Type	Fixed-focal 2.8 mm @ f1.0
Iris Type	Fixed
Field of View	Horizontal: 110°, Vertical: 59°, Diagonal: 130°
Close Focus Range	16.40 ft (5.0 m)
DORI	Detect: 276.83 ft (84.4 m), Observe: 110.86 ft (33.8 m), Recognize: 55.43 ft (16.9 m), Identify: 27.55 ft (8.4 m)
Illuminator	2 (warm supp. lights)
Illumination Range	98 ft (30 m)
Illuminator Control	Auto / Manual
Video	
Video Compression	MJPEG (only supported by sub stream), H.264, H.264H, H.264B, H.265
Smart Codec	Supported
Resolution	8 MP (3840 × 2160), 6 MP (3072 × 2048), 5 MP (3072 × 1728 / 2592 × 1944), 4 MP (2688 × 1520), 3 MP (2048 × 1536), 1080p (1920 × 1080), 1.3 MP (1280 × 960), 720p (1280 × 720), D1 (704 × 576/704 × 480), VGA (640 × 480), CIF (352 × 288/352 × 240)
Video Frame Rates	Main stream: 3840 × 2160 @ (1 - 30 fps) Sub stream: D1 @ (1 - 30 fps) Third stream: 1920 × 1080 @ (1 - 30 fps)
Video Stream	3 streams
Bit Rate Control	CBR, VBR
Video Bit Rates	H.264: 32 Kbps - 16,384 Kbps H.265: 32 Kbps - 16,384 Kbps
ROI	Supported (4 areas)
Image Rotation	0° / 90° / 180° / 270° (Supports 90° / 270° with 2688 × 1520 resolution or lower)
Mirror	Supported
Privacy Mask	Supported (4 areas)
Audio	
Built-in MIC	Yes
Audio Compression	PCM, G.711 a, G.711 Mu, G.726, G.723
Intelligent Analysis	
VCA	Tripwire, intrusion (Support the classification and accurate detection of vehicles and persons)
MD 2.0	Yes, support alarm triggered by vehicles and persons

Face Detection	Face detection, snapshot, face attributes extraction including 6 attributes and 8 expressions
People Counting	Tripwire people counting and people counting in area, generating and exporting reports (day / month / year)
Heat Mapping	Supported
X-Search*	Accurate object search based on feature extraction and comparison; requires Pro AI-Series NVR LXN9xxxD
Event Types	
Alarm Events	No SD card, SD card full, SD card error, network disconnection, IP conflict, illegal access, motion detection, video tampering, voltage detection, security exception, tripwire, intrusion, fast moving, abandoned object, missing object, loitering detection, people gathering, scene changing, audio detection, external alarm, face detection, IMD, area people counting, loitering alarm, people counting, people number anomaly detection
Network	
Protocols	IPv4, IPv6, HTTP, HTTPS, TCP, UDP, ARP, RTP, RTSP, RTCP, RTMP, SMTP, FTP, SFTP, DHCP, DNS, DDNS, QoS, UPnP; NTP, Multicast, ICMP, IGMP, NFS, PPPoE, 802.1x
Interoperability	ONVIF (Profile S / Profile G / Profile T), API, P2P
Storage	FTP, SFTP, MicroSD Card (supports up to 256 GB), NAS
Web Browsers	IE, Chrome, Firefox
Client	PRO-X, X Station

Interface	
Network	RJ-45 (10/100 Base-T)
General	
Power	12 VDC / PoE+ (802.3 af) / X-POE, < 9.6 W
Housing	Aluminum alloy body, except for trim ring
Dimensions	(5.12 × Φ 5.61" (142.0 × Φ 130 mm)
Operating Conditions	-40° to 140° F (-40° to 60° C); less than 95% RH
Storage Conditions	-40° to 140° F (-40° to 60° C)
Protections	IP67
Net Weight	1.96 lb (0.89 kg)
Gross Weight	2.34 lb (1.06 kg)
Certifications	FCC

Dimensions (mm[inch])

mm[inch]



Accessories

LXKJB05 Junction Box	LXWM05 Wall Mount
