

Indoor Wall Mount for Dome Camera LTB348B

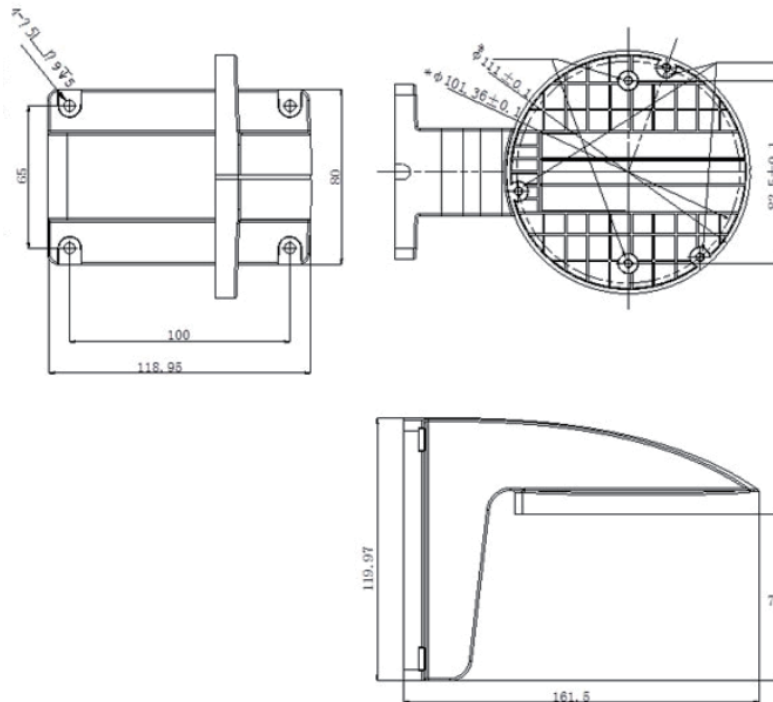
Designed for dome camera models CMIP74XX, CMHD74XX others



Properties

Parameters	Indoor Wall Mount
Materials	ABS Plastic
Dimensions	4.6 x 3.1 x 1.2" (118 x 80 x 182 mm)
Weight	0.4 lbs (200 g)

Dimensions:



©2016 LT Security, Inc. All Rights Reserved. White papers, data sheets, quick start guides, and/or user manuals are for reference only and may or may not be entirely up to date or accurate based upon the version or models. Product names mentioned herein may be the unregistered and/or registered trademarks of their respective owners.