

Pendent Mounting Bracket for Dome Camera LTB381

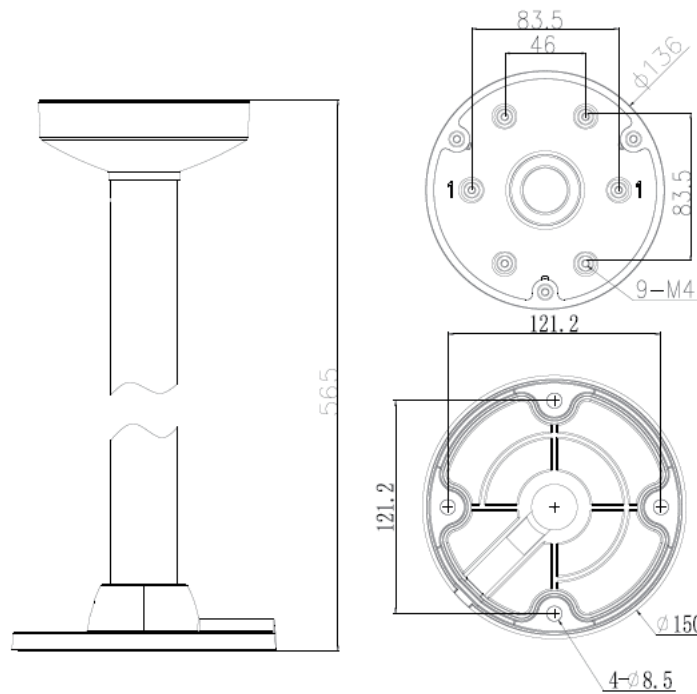
Designed for CMIP70xx & CMIP72xx dome cameras



Specifications

Parameters	Pendant mount for dome camera models CMIP70xx & CMIP72xx
Materials	Aluminum alloy
Dimensions	Φ 5.4 x 22.2" (Φ 136 x 565 mm)
Weight	2.97 lb (1,350 g)

Dimensions:



Unit: mm

©2018 LT Security, Inc. All Rights Reserved. White papers, data sheets, quick start guides, and/or user manuals are for reference only and may or may not be entirely up to date or accurate based upon the version or models. Product names mentioned herein may be the unregistered and/or registered trademarks of their respective owners.