

LTB412

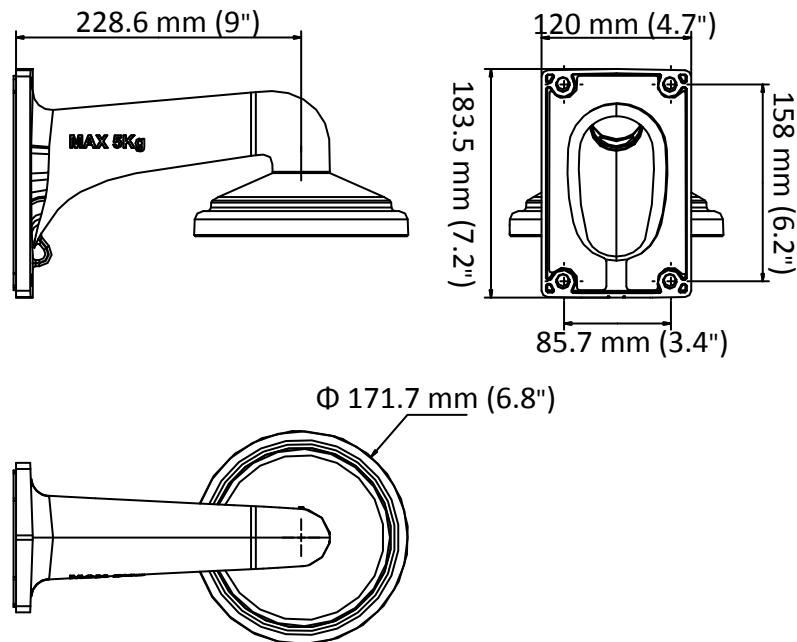
Wall Mounting Bracket for 4-inch PTZ Camera

Features

- Aluminum alloy with surface treatment
- Waterproof design



Dimensions



Parameters

Model	LTB412
Parameters	Wall Mounting Bracket for 4-inch PTZ Camera
Color	White
Materials	Aluminum Alloy
Dimensions	Φ 6.8 × 6.2 × 9" (Φ 171.7 × 158 × 228.6 mm)
Weight	3.57 lb (1,120 g)

Notes

- The bracket should be installed on a flat surface.
- The waterproof rubber piece is necessary for the outdoor application.
- The wall must be capable of supporting at least 3 times the total weight of the camera plus the mount / bracket.
- The bracket's maximum load capacity is 11 lb (5 kg).