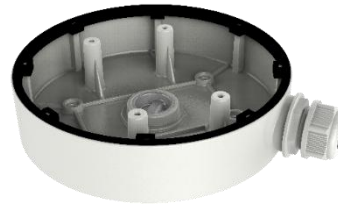


# LTB722

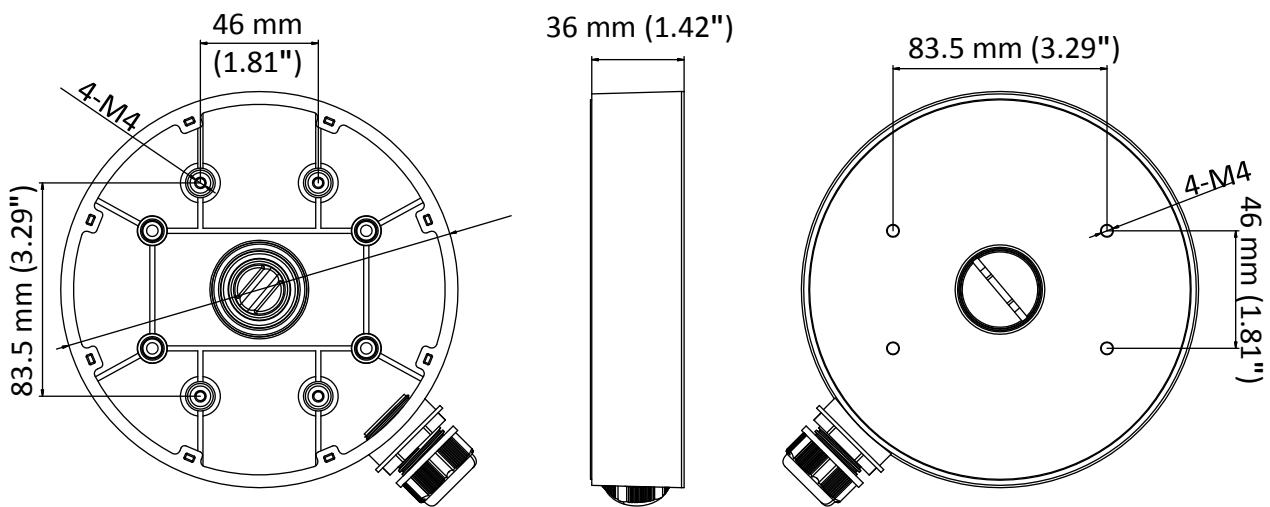
## Junction Box

### Features

- Aluminum alloy with surface treatment
- Cable outlet(s) included
- Designed for both indoor and outdoor applications



### Dimensions



### Parameters

Model	LTB722
Parameters	Junction Box
Color	White
Materials	Aluminum Alloy
Dimensions	Φ 155 × 36 mm (Φ 6.1 × 1.42")
Weight	0.66 lb (300 g)

### Notes

- The mount should be installed on a flat surface.
- Waterproof rubber piece is necessary for outdoor applications.
- The wall must be capable of supporting at least 3 times the total weight of the camera plus the junction box.
- The maximum load capacity of the junction box is 4.4 lb (2 kg).