

## LTB801-A

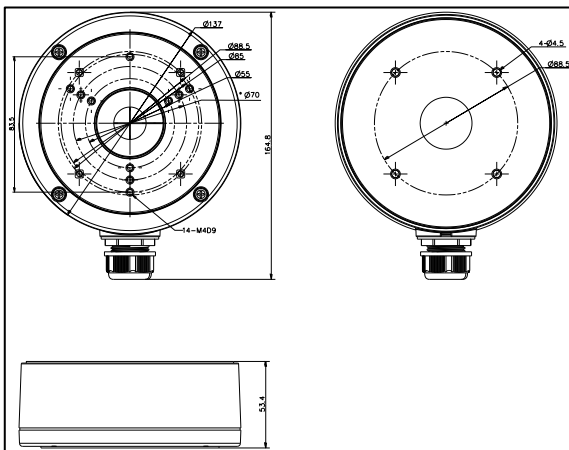
### Junction Box

#### Features:

- Aluminum alloy with surface treatment
- Waterproof design
- Cable access on bracket improves installation & operation



#### Dimensions:



#### Parameters:

Model	LTB801-A
Parameters	Junction Box for Dome Camera
Color	White
Materials	Aluminum Alloy
Dimensions	Φ 5.4 x 2.1 x 6.5" (Φ 137 x 53.4 x 164.8 mm)
Weight	1.14 lb (515 g)

#### Notes:

- The bracket should be installed on a flat wall
- Waterproof rubber pieces is necessary for outdoor applications
- The wall must be capable of supporting over 3 times the total weight of the camera plus the mount.
- The maximum load capacity of the bracket is approx. 10 lb (4.5 kg).

**Note:** The actual bracket may vary from the picture above.

