

CMIP3C6PW-28SDL

Platinum 6 MP Panoramic Fixed Turret IP Camera



This 6 MP Panoramic Turret IP Camera provides colorful imaging 24/7 with advanced f 1.0 lenses, high performance sensors and friendly lighting. Its super-aperture collects more light to produce brighter images. Advanced sensor technology can vastly improve the utilization of available light.

- High quality imaging with 6 MP resolution
- One image captures what used to require two or more cameras
- Color imaging 24/7
- Efficient H.265+ compression technology
- Clear imaging against strong back light thanks to the 130 dB WDR technology
- Focus on human and vehicle classification based on deep learning
- Active strobe light and audio alarm to ward off intruders
- Water and dust resistant (IP67)



Specifications

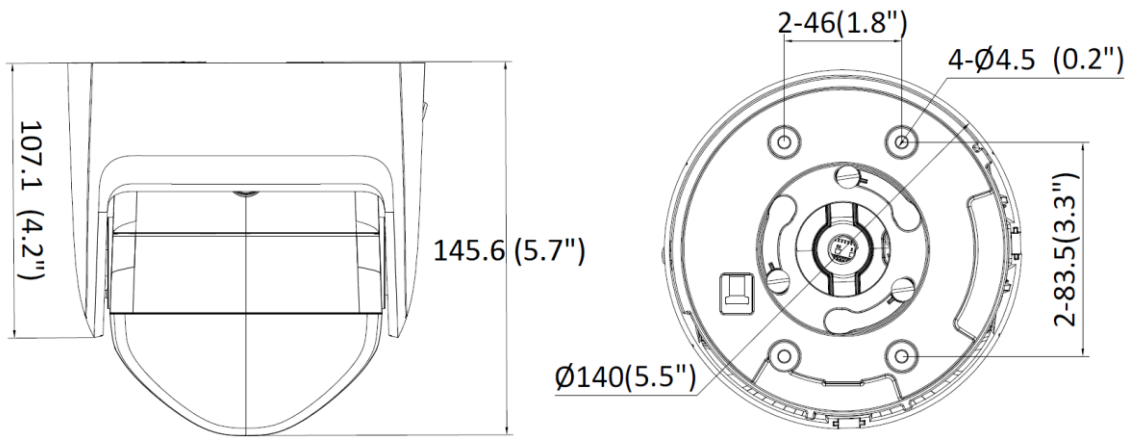
Camera	
Image Sensor	2 × 1/2.5" Progressive Scan CMOS
Max. Resolution	3632 × 1632
Min. Illumination	Color: 0.0005 Lux @ (f 1.0, AGC on), 0 Lux with supplemental light
Shutter Speed	1/3 to 1/100,000 sec.
Angle Adjustment	Pan: -30° to 30°, tilt: -75° to 75°
Lens	
Lens Type	Fixed focal lens, dual lens, 2.8 mm
Focal Length & FOV	2.8 mm; horizontal: 180°, vertical: 81°
Lens Mount	M12
Iris Type	Fixed
Aperture	f 1.0
Depth of Field	2 m to ∞
Detection, Observation, Recognition, Identification (DORI)	
Ranges (Approx.)	2.8 mm, D: 147 ft (45 m), O: 57 ft (17.5 m), R: 30 ft (9 m), I: 15 ft (4.5 m)
Supplemental Lighting	
Type	White
Range	Up to 98 ft (30 m)
Technology	Smart
Video	
Main Stream	50 Hz: 20 fps (3632 × 1632) 60 Hz: 20 fps (3632 × 1632)
Sub-Stream	50 Hz: 20 fps (1200 × 536, 960 × 432) 60 Hz: 20 fps (1200 × 536, 960 × 432)
Video Compression	Main stream: H.265+ / H.265 / H.264+ / H.264 Sub-stream: H.265 / H.264 / MJPEG
Video Bit Rate	32 Kbps to 16 Mbps
H.264 Type	Baseline Profile, Main Profile, High Profile
H.265 Type	Main Profile
Bit Rate Control	CBR, VBR
Scalable Video Coding (SVC)	H.264 and H.265 encoding
Region of Interest (ROI)	1 fixed region(s) for main stream
Audio	
Audio Type	Mono
Audio Compressions	G.711 / G.722.1 / G.726 / MP2L2 / PCM / MP3 / AAC-LC
Audio Bit Rates	64 Kbps (G.711 ulaw / G.711 alaw) / 16 Kbps (G.722.1) / 16 Kbps (G.726) / 32 to 192 Kbps (MP2L2) / 8 to 320 Kbps (MP3) / 16 to 64 Kbps (AAC-LC)
Audio Sampling Rates (kHz)	8 / 16 / 32 / 44.1 / 48
Environmental Noise Filtering	Yes
Network	
Protocols	TCP/IP, ICMP, HTTP, HTTPS, FTP, DHCP, DNS, DDNS, RTP, RTSP, NTP, UPnP, SMTP, IGMP, 802.1X, QoS, IPv6, UDP, Bonjour, SSL/TLS, PPPoE, SNMP, Websocket, Websockets

Simultaneous Live View	Up to 6 channels
API	Open Network Video Interface (Profile S, Profile G, Profile T), ISAPI, SDK
User / Host	Up to 32 users 3 user levels: Administrator, operator, and user
Security	Password protection, complex password, HTTPS encryption, 802.1X authentication (EAP-MD5), watermark, IP address filter, basic and digest authentication for HTTP/HTTPS, WSSE and digest authentication for Open Network Video Interface, RTP/RTSP over HTTPS, control timeout settings, security audit log, TLS 1.2, host authentication (MAC address)
Network Storage	NAS (NFS, SMB/CIFS), Auto Network Replenishment (ANR)
Web Browsers	Plug-in required live view: IE 10, IE 11, Plug-in free live view: Chrome 57.0+, Firefox 52.0+, Local service: Chrome 57.0+, Firefox 52.0+
Imaging	
Image Parameter Switching	Yes
Image Settings	Saturation, brightness, contrast, sharpness, gain, white balance, adjustable by client software or web browser
Day / Night Switch	Day, Night, Auto, Schedule
Wide Dynamic Range (WDR)	130 dB
SNR	≥ 52 dB
Image Enhancement	BLC, HLC, 3D DNR
Interface	
Ethernet Interface	1 x RJ45 10/100 Mbps self-adapting Ethernet port
On-Board Storage	Built-in memory card slot, supports MicroSD / SDHC / SDXC cards up to 256 GB
Built-in Microphone	Yes
Built-in Speaker	Yes; max. power consumption: 1.2 W; max. sound pressure level: 10 cm: 95 dB
Audio	1 input (line in), terminal block, max. input amplitude: 3.3 Vpp, input impedance: 4.7 K Ω , interface type: non-equilibrium 1 output (line out), terminal block, max. output amplitude: 3.3 Vpp, output impedance: 100 Ω , interface type: non-equilibrium
Alarm	1 input(s), 1 output(s) (max. 24 VDC / 24 VAC, 1 A)
Reset Key	Yes
Event Types	
Basic	Motion detection (supports alarm triggering by specified target types (human and vehicle)), alarm input and output, flashing light, audible alarm output, exceptions / anomalies
Smart	Line crossing, intrusion, region entrance, region exiting (support alarm triggered by specified target types (human and vehicle)), and scene change detections
Linkage	Upload to FTP / NAS / memory card, notify surveillance center, send email, trigger alarm output, trigger recording, trigger capture, audible warning, white flashing light
General	
Power	12 V DC \pm 25%, 0.88 A, max. 10.5 W, \varnothing 5.5 mm coaxial power plug, reverse polarity protection, PoE: 802.3 af, Class 3, 36 to 57 V, 0.35 to 0.22 A, max. 12.5 W

Materials	Base: metal, cover: metal
Camera Dimensions	Ø 5.5 × 5.7 in. (Ø 140 mm × 145.6 mm)
Shipping Dimensions	9 × 9 × 9 in. (230 × 230 × 230 mm)
Weight	Approx. 2.0 lbs (920 g)
Package Weight	Approx. 3.7 lbs (1,680 g)
Operating Conditions	-22° to 140° F (-30° to 60° C). Humidity 95% or less (non-condensing)
Storage Conditions	-22° to 140° F (-30° to 60° C). Humidity 95% or less (non-condensing)
Languages (33)	English, Russian, Estonian, Bulgarian, Hungarian, Greek, German, Italian, Czech, Slovak, French, Polish, Dutch, Portuguese, Spanish, Romanian, Danish, Swedish, Norwegian, Finnish, Croatian, Slovenian, Serbian, Turkish, Korean, Traditional Chinese, Thai, Vietnamese, Japanese, Latvian, Lithuanian, Portuguese (Brazil), Ukrainian
General Functions	Anti-banding, heartbeat, mirror, flash log, pixel counter
Light	Flashing
Certifications	
EMC	FCC: 47 CFR Part 15, Subpart B CE-EMC: EN 55032: 2015; EN 61000-3-2:2019; EN 61000-3-3: 2013+A1:2019 EN 50130-4: 2011 +A1: 2014 RCM: AS/NZS CISPR 32: 2015 IC: ICES-003: Issue 7
Safety	UL: UL 62368-1 CB: IEC 62368-1: 2014+A11 CE-LVD: EN 62368-1: 2014 / A11: 2017
Environmental	CE-RoHS: 2011 / 65 / EU WEEE: 2012 / 19 / EU Reach: Regulation (EC) No 1907 / 2006
Protections	IP67: IEC 60529-2013



Dimensions – cm (in.)



Accessories (Optional)

LTB342-140B Wall Mount	LTB342-140 Wall Mount	LTB341 Pendant Mount	LTB701 Junction Box
			