

## CMIP3C82WI-28SDL

### 8 MP Hybrid Illumination with Color 24/7 Turret IP Camera



- High quality imaging with 8 MP resolution
- Smart Hybrid Illumination: Advanced technology with long range
- Clear imaging against strong back light due to 130 dB WDR technology
- High efficiency H.265+ compression technology
- Focus on human and vehicle classification
- Provides real-time security via built-in two-way audio
- Active red & blue strobe lights and audio alarm to ward intruders off
- Supports on-board storage up to 512 GB (SD card slot)
- Additional audio and alarm interfaces available
- Water and dust resistant (IP67)

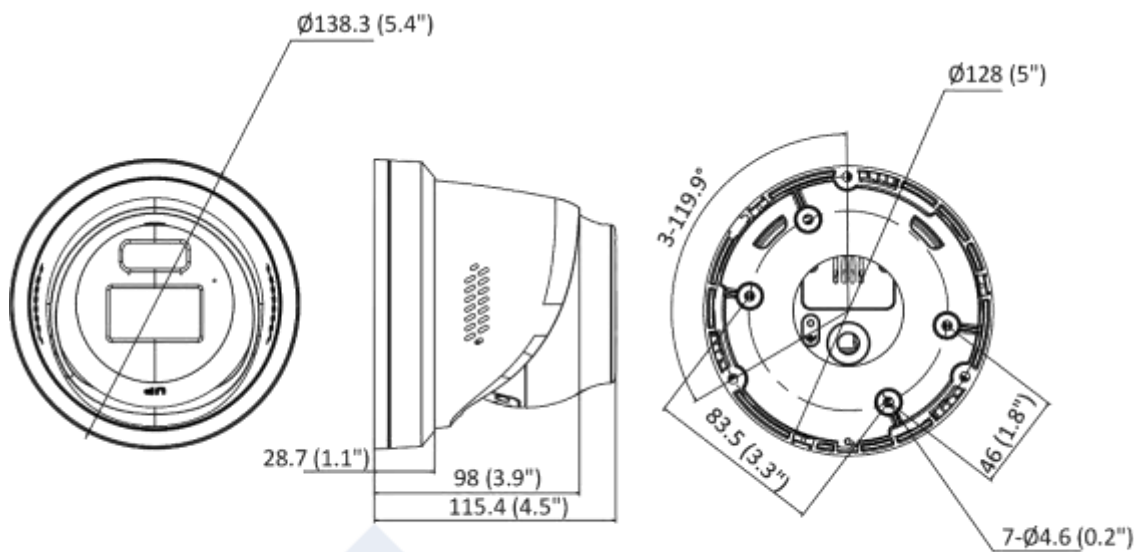
## Specifications

<b>Camera</b>	
Image Sensor	1/1.8" Progressive Scan CMOS
Max. Resolution	3840 × 2160
Min. Illumination	Color: 0.0008 Lux @ f 1.0, AGC on 0 Lux with suppl. light
Shutter Speed	1/3 to 1/100,000 sec.
Day & Night	IR cut filter
Angle Adjustment	Pan: 0° to 360°, tilt: 0° to 75°, rotate: 0° to 360°
<b>Lens</b>	
Lens Type	Fixed focal lens, 2.8 mm
Focal Length & FOV	2.8 mm: horizontal 108.8°, vertical 56.4°, diagonal 134.3°
Lens Mount	M16
Iris Type	Fixed
Aperture	f 1.0
Depth of Field	3.3 m to ∞
<b>Detect, Observe, Recognize, Identify</b>	
Ranges (Approx.)	D: 290 ft (89 m), O: 115 ft (35 m), R: 55 ft (17 m), I: 26 ft (8 m)
<b>Supplemental Lighting</b>	
Type	IR, Blue and Red Light
Range	Up to 100 ft
Technology	Yes
IR Wavelength	850 nm
<b>Video</b>	
Mainstream	60 Hz: 24 fps (3840 × 2160), 30 fps (3200 × 1800, 2688 × 1520, 1920 × 1080, 1280 × 720)
Sub-Stream	60 Hz: 30 fps (1280 × 720, 640 × 480, 640 × 360)
Third Stream	60 Hz: 10 fps (1920 × 1080, 1280 × 720, 640 × 480, 640 × 360) *Third stream is supported under certain settings.
Video Compression	Mainstream: H.264 / H.264+ / H.265 / H.265+ Sub-stream: H.264 / H.265 / MJPEG, Third stream: H.264 / H.265 *Third stream is supported under certain settings.
Video Bit Rate	32 Kbps to 16 Mbps
H.264 Type	Baseline Profile, Main Profile, High Profile
H.265 Type	Main Profile
Bit Rate Control	CBR, VBR
Scalable Video Coding (SVC)	H.264 and H.265 encoding
Region of Interest (ROI)	1 fixed region for mainstream and sub-stream
<b>Audio</b>	
Audio Compressions	G.711 / G.722.1 / G.726 / MP2L2 / PCM / MP3 / AAC-LC
Audio Type	Mono
Audio Bit Rates	64 Kbps (G.711ulaw / G.711alaw) / 16 Kbps (G.722.1) / 16 Kbps (G.726) / 32 to 192 Kbps (MP2L2) / 8 to 320 Kbps (MP3) / 16 to 64 Kbps (AAC-LC)
Audio Sampling Rates (kHz)	8 / 16 / 32 / 44.1 / 48
Environmental Noise Filtering	Yes

<b>Network</b>	
Protocols	TCP / IP, ICMP, HTTP, HTTPS, FTP, DHCP, DNS, DDNS, RTP, RTSP, RTCP, NTP, UPnP, SMTP, IGMP, 802.1X, QoS, IPv4, IPv6, UDP, Bonjour, SSL / TLS, PPPoE, SNMP, WebSocket, WebSockets, SRTP, SFTP
Simultaneous Live View	Up to 6 channels
API	ONVIF (Profile S, Profile G, Profile T), ISAPI, SDK
User / Host	Up to 32 users. 3 user levels: administrator, operator, and user
Security	Password protection, complicated password, HTTPS encryption, 802.1X authentication (EAP-TLS, EAP-LEAP, EAP-MD5), watermark, IP address filter, basic and digest authentication for HTTP / HTTPS, WSSE and digest authentication for Open Network Video Interface, RTP / RTSP over HTTPS, control timeout settings, security audit log, TLS 1.1 / 1.2 / 1.3, host authentication (MAC address)
Network Storage	NAS (NFS, SMB / CIFS), Auto Network Replenishment (ANR)
Client	NVMS V3, X-VMS, LTS Connect
Web Browsers	Plug-in required live view: IE 10, IE 11, Plug-in free live view: Chrome 57.0+, Firefox 52.0+, Edge 89+, Local service: Chrome 57.0+, Firefox 52.0+, Edge 89+
<b>Image</b>	
Image Parameters Switch	Yes
Image Settings	Rotate mode, saturation, brightness, contrast, sharpness, gain, white balance
Day / Night Switching	Day, Night, Auto, Schedule
Image Enhancement	BLC, HLC, 3D DNR, Defog
SNR	≥ 52 dB
Wide Dynamic Range (WDR)	130 dB
Privacy Mask	4 programmable polygon privacy masks
<b>Interfaces</b>	
Ethernet Interface	1 RJ45 10/100 Mbps self-adaptive Ethernet port
On-Board Storage	Built-in memory card slot, supports MicroSD / SDHC / SDXC cards up to 512 GB
Built-in Microphones	1
Built-in Speakers	1; Max. power consumption: 1.2 W, max. sound pressure level: 10 cm: 95 dB.
Audio	1 input (line in), two-core terminal block, max. input amplitude: 3.3 Vpp, input impedance: 4.7 KΩ, interface type: non-equilibrium 1 output (line out), two-core terminal block, max. output amplitude: 3.3 Vpp, output impedance: 100 Ω, interface type: non-equilibrium
Alarm	1 input, 1 output (max. 24 V DC / 24 V AC, 1 A)
Reset Key	Yes
<b>Event Types</b>	
Basic	Motion detection (supports alarm triggering by specified target types (human and vehicle)), video tampering alarm, exception
Smart	Scene change detection
Linkage	Upload to FTP / NAS / memory card, notify surveillance center, send email, trigger alarm output, trigger recording, trigger capture, audible warning, strobe light
<b>VCA Functions</b>	
Face Capture	Yes
Perimeter Protections	Line crossing, intrusion, region entrance, region exiting Supports alarm triggering by specified target types (human and vehicle)

General	
Power	12 V DC $\pm$ 25%, 0.75 A, max. 9 W, $\varnothing$ 5.5 mm coaxial power plug, reverse polarity protection, PoE: IEEE 802.3af, Class 3, max. 10.5 W
Materials	Cover: metal; main body: metal
Dimensions	$\varnothing$ 5.4 $\times$ 4.5"
Shipping Dimensions	6.7 $\times$ 6.7 $\times$ 6.3"
Weight	Approx. 1.8 lb.
Shipping Weight	Approx. 2.9 lb.
Storage Conditions	-22° to 140° F (-30° to 60° C). Humidity 95% or less (non-condensing)
Startup and Operating Conditions	-22° to 140° F (-30° to 60° C). Humidity 95% or less (non-condensing)
General Functions	Heartbeat, mirror, flash log, password reset via email, pixel counter, anti-banding
Certifications	
Protection Ratings	IP67: IEC 60529-2013

## Dimensions



Unit: mm (inch)

## Accessories

LTB342-140 Wall Mount	LTB701 Junction Box	LTB341 Pendant Mount	LTB378 Vertical Pole Mount	LTB379 Corner Mount
