

LXPTZIP4C84WI-X25IR Pro-X 4 MP PTZ with 25x Optical Zoom & 2 x 4 MP Panoramic IP Camera Combination



Key Features

- Panoramic Sensor: 180-degree, wide-angle spliced images
PTZ Sensor: 1/2.8" 4-Megapixel STARVIS™ CMOS
- Powerful 25x optical zoom
- Min. Illumination: 0.005 Lux @ f 1.64; 0 Lux with IR LED on
- Built-in IR LED, Matrix IR LED up to 328 ft
- H.265 / H.264; flexible coding; smart codec
- Auto tracking and PFA technology
- MD 2.0 human & vehicle classification
- Smart Perimeter Protection via AI algorithm
- Built-in MicroSD slot for cards up to 512 GB
- 12V DC / PoE+ power supplies
- IP66

Specifications

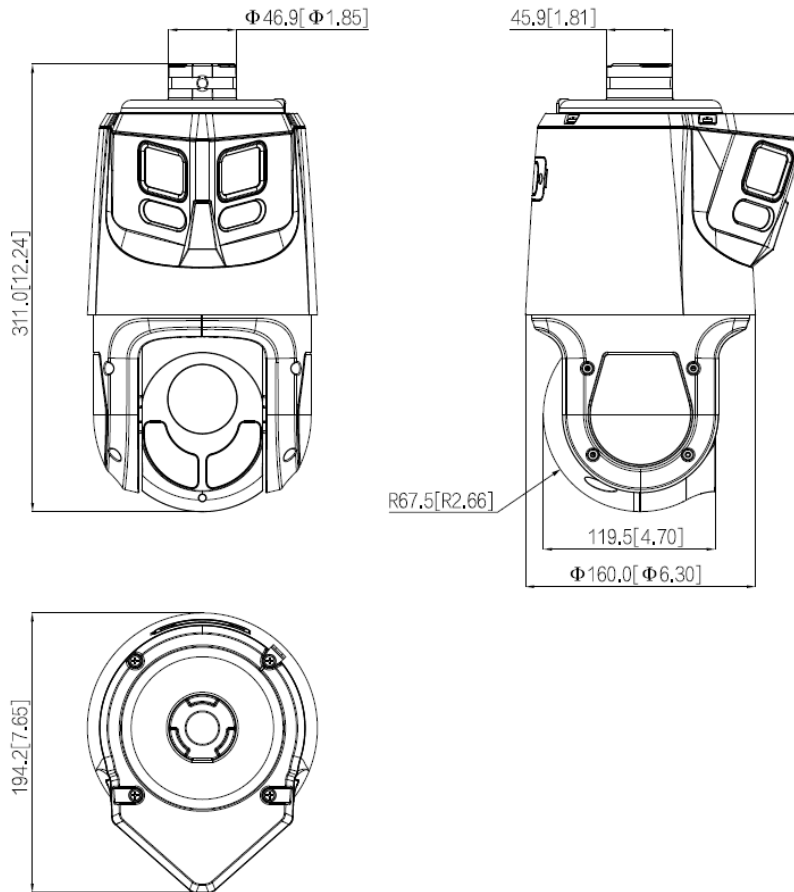
Camera	
Image Sensor	Panoramic: 1/2.7" CMOS; PTZ: 1/2.8" CMOS
Max. Resolution	Panoramic: 4096 x 1860; PTZ: 2560 x 1440
Min. Illumination	Panoramic: 0.005 Lux @ f 1.4 (Color, 30 IRE); 0.0005 Lux @ f 1.4 (B&W, 30 IRE); 0 Lux (supplemental light on) PTZ: 0.005 Lux @ f 1.6 (Color, 30 IRE); 0.0005 Lux @ f 1.6 (B&W, 30 IRE); 0 Lux (supplemental light on)
Shutter Speed	Electronic 1/1 - 1/30,000 sec.
S/N Ratio	> 55 dB
Noise Reduction	2D NR, 3D NR
Wide Dynamic Range	120 dB
Day & Night	Auto (ICR) / Color / B&W
Zoom	25x optical
Focal Length	Panoramic: 2.8 mm; PTZ: 5 mm-125 mm
Aperture	Panoramic: f 1.4; PTZ: f 1.6 - f 3.6
Field of View	Panoramic: Hor.: 180°; Vert.: 86° PTZ: Hor: 51.9 - 3.0°; Vert: 39.7 - 2.2°; Diag: 63.1 - 3.7°
Close Focus Range	Panoramic: 1.97 ft (0.6 m) PTZ: 0.33 - 1.64" (0.1 - 0.5 m)
DORI Ranges	D: 8,202.10 ft (2,500 m), O: 3,239.83 ft (987.5 m), R: 1,640.42 ft (500 m), I: 820.21 ft (250 m)
Supplemental Lighting	Panoramic: 2 x IR lights; 2 x White lights PTZ: 2 IR lights; 2 x Warm white lights
Supplemental Light Range	Panoramic: 98.43 ft (30 m) IR 98.43 ft (30 m) white light PTZ: 328.08 ft (100 m) IR 131.23 ft (40 m) white light
Supplemental Light Control	Panoramic: Manual; Auto; Off PTZ: Zoom Priority; Manual; Auto; Off
Control Speed	Manual
Power-off Memory	Yes
Video	
Video Compression	Panoramic: H.265; H.264; MJPEG (Sub Stream 1) PTZ: H.265; H.264; MJPEG (Sub Stream 1)
Smart Codec	Supported
Resolution	Panoramic: 8 MP (4096 x 1860); 2 MP (2048 x 928); 1080 (1920 x 1080); 720 (1280 x 720); 1024 x 448; D1 (704 x 576 / 704 x 480); VGA (640 x 480); CIF (352 x 288 / 352 x 240) PTZ: 4 MP (2560 x 1440); 3 MP (2304 x 1296); 1080 (1920 x 1080); 1.3 MP (1280 x 960); 720 (1280 x 720); D1 (704 x 576 / 704 x 480); VGA (640 x 480); CIF (352 x 288 / 352 x 240)
Video Frame Rates	Overview channel: Main stream: 4096 x 1860 @ (1 - 25 / 30 fps) Sub stream 1: 1024 x 448 / D1 / VGA / CIF @ (1 - 25 / 30 fps) Sub stream 2: 2048 x 928 / 1080p / 1.3 MP / 720p @ (1 - 25 / 30 fps) PTZ channel: Main stream: 4, 3 MP / 1080p / 1.3 MP / 720p @ (1 - 25 / 30 fps) Sub stream 1: D1 / VGA / CIF @ (1 - 25 / 30 fps) Sub stream 2: 1080p / 1.3 MP / 720p / @ (1 - 25 / 30 fps)

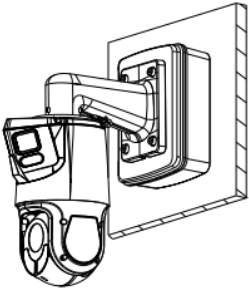
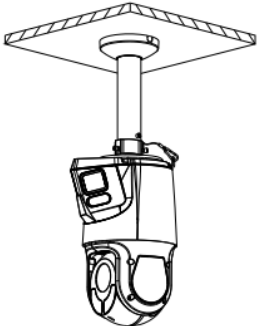
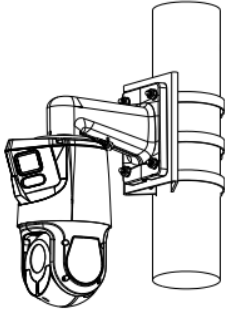
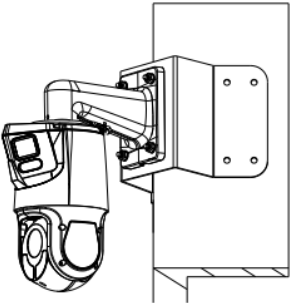
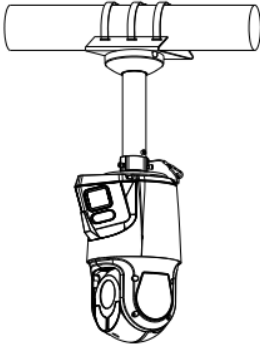
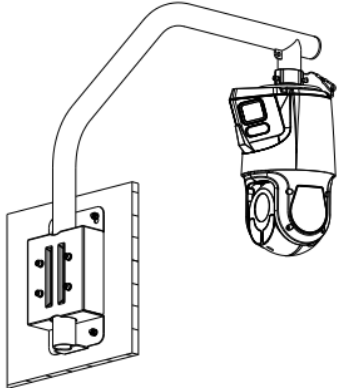
Video Stream	3 streams
Bit Rate Control	CBR, VBR
Video Bit Rate	Panoramic: H264: 128 Kbps - 16,384 Kbps H265: 51 Kbps - 13,312 Kbps PTZ: H264: 96 Kbps - 16,384 Kbps H265: 38 Kbps - 10,240 Kbps
Region of Interest (ROI)	Supported
Image Rotation	180°
Image Enhancement	BLC, HLC, 3D NR
Defog	Electronic
Image Stabilization	Electronic
Privacy Mask	Not Supported
PTZ	
Range	Pan: 0° - 360° endless, Tilt: -15° to 90°, auto-flip 180°
Pan Speed	Manual Control: 0.1°/s - 180°/s Preset: 180°/s
Tilt Speed	Manual Control: 0.1°/s - 90°/s Preset: 90°/s
Preset	300
Patrol	8
Pattern	5
Scan	5
Scheduled Tasks	Preset, Pattern, Patrol, Scan
Preset Freezing	Supported
3D Positioning	Supported
Intelligent Analysis	
VCA	Tripwire; intrusion; crossing fence detection; loitering detection; abandoned / missing object; parking detection; people gathering; linkage tracking
MD 2.0	Yes, supports alarms triggered by vehicles and humans
Deep Learning	Not supported
Auto Tracking	Supported
Audio	
Built-in Mic	Not supported
Built-in Speaker	Supported
Audio Compression	PCM, G.711 A, G.711 Mu
Audio Bitrate	Sampling rates: PCM (8,000 Hz; 16,000 Hz; 32,000 Hz) G.711 A (8,000 Hz); G.711 Mu (8,000 Hz)

Event Types	
Basic	Motion / tampering, network disconnection, IP conflict, memory card state, & memory space detections
Alarm Linkage	Capture; recording; send email; alarm digital output; audio; warning light
Network	
Protocols	HTTP; HTTPS; TCP/IP; IPv4; RTSP; SMTP; NTP; DHCP; DNS; DDNS; IPv6; 802.1x; SSL; Qos; FTP; UPnP; SNMP; ARP; RTCP; RTP; PPPoE; RTMP; Bonjour; NFS
Interoperability	ONVIF (Profile S & G & T); CGI; SDK; P2P
Storage	MicroSD card (512 GB); FTP / SFTP; NAS
Web Browsers	Web 5.0: IE 9 and later Chrome 41 and later Firefox 52 and later Safari 10 and later
Client	IOS; Android
Interface	
Ethernet Interface	RJ-45 (10/100 Base-T)
Alarm I/O	2 input, 1 output
Audio I/O	1 input, 1 output
General	
Power	12V DC / PoE+ (802.3at)
Power Consumption	Max. 25 W
Materials	Metal
Dimensions	7.65 x 6.30 x 12.24" (194.2 x 160 x 311 mm)
Operating Conditions	-40° to 149° F (-40° to 65° C)
Protection Ratings	IP66
Gross Weight	10.14 lb (4.6 kg)
Net Weight	6.83 lb (3.1 kg)
Certifications	FCC
Accessory included	CAB-W02

Dimensions

mm [inch]



Accessories		
<p>Wall Mount CAB-W02 + CAJ-B06</p> 	<p>Ceiling Mount 1 CAP-C04 + CAB-C03</p> 	<p>Pole Mount (Vertical) CAB-W02 + CAB-P02</p> 
<p>Corner Mount CAB-W02 + CAB-C01</p> 	<p>Pole Mount (Horizontal) CAP-C04 + CAB-C03 + CAB-P02</p> 	<p>Parapet Mount CAP-C04 + CAB-W06</p> 

Note: Wireframe is used here to show the connection between the device and an accessory.