

# LXPTZ518W-25XR

8MP 25X AI PTZ



## Key Features

---

- Outputs max. 8MP (3840× 2160) @30fps
- 1/1.8" STARVIS™ CMOS image sensor
- Powerful 25x optical zoom
- Min. Illumination 0.005 Lux@F1.6, 0 Lux with IR LED on
- Built-in IR LED, Matrix IR LED up to 492ft
- H.265/H.264, flexible coding, smart codec
- Auto Tracking and PFA technology
- MD2.0 & VCA & Face Detection
- Built-in Micro SD card slot, up to 512 GB
- 24VDC/PoE+ power supply
- IP67 and IK10 protection

## Specification

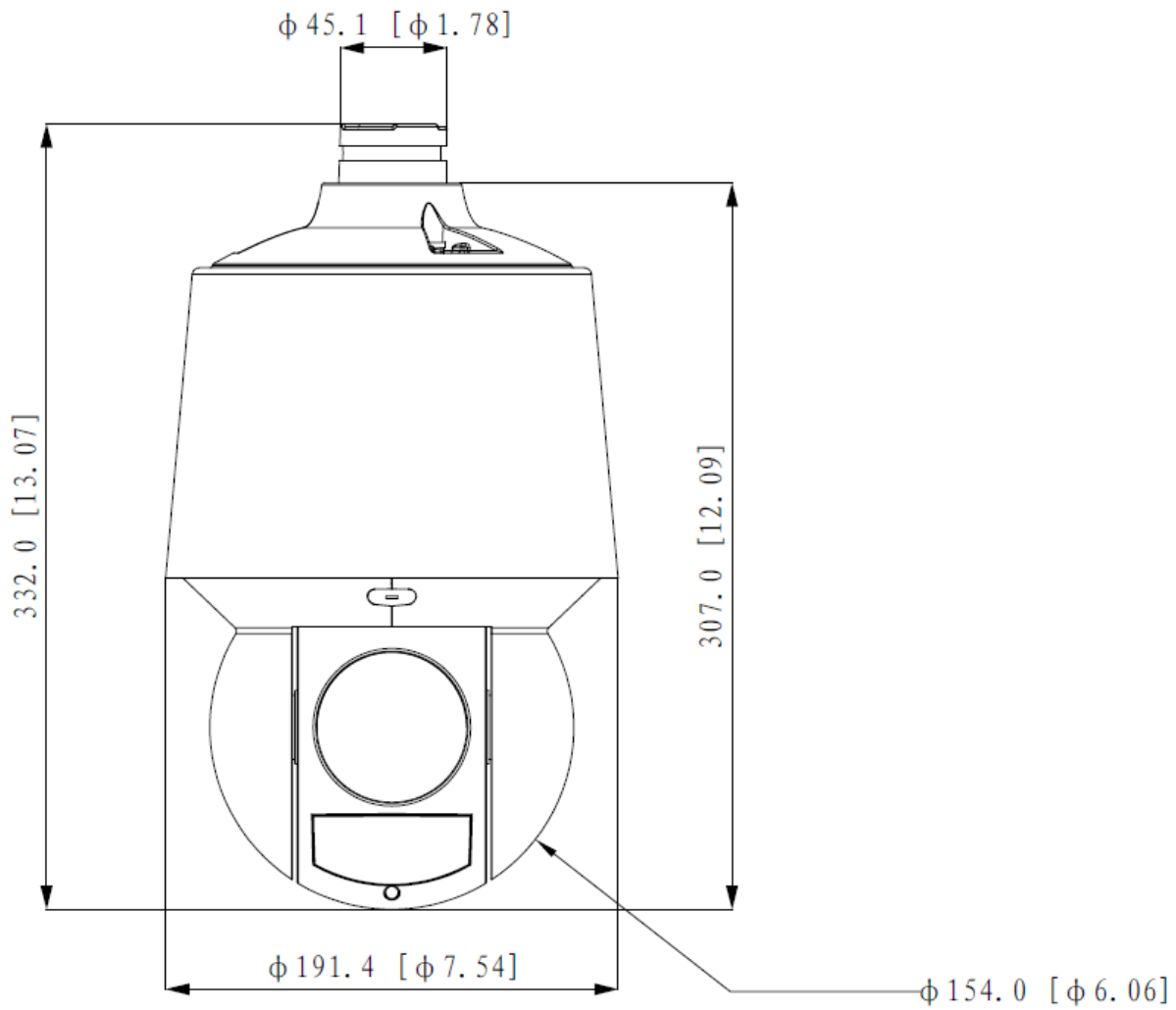
Camera	
Image Sensor	1/1.8" 8Megapixel progressive CMOS
Max. Resolution	3840 (H) × 2160 (V)
Min. Illumination	Color: 0.005 lux@F1.6, B/W: 0.0005 lux@F1.6, 0 Lux with IR light on
Shutter	Electronic 1/1 s-1/30, 000 s
S/N Ratio	> 55 dB
Noise Reduction	2D NR, 3D NR
Wide Dynamic Range	120 dB
Day & Night	Auto(ICR)/Color/B/W
Zoom	25x optical
Focal Length	5.4mm~135mm
Aperture	F1.6~F4.0
Field of View	H: 61.6°~3.6°; V: 35.7°~2°; D: 66.6°~4°
Close Focus Range	0.1 m~2 m (0.33 ft~6.56ft)
DORI	D: 2700.0 m; O: 1080.0 m; R: 540.0 m; l: 270.0 m (D: 8858.16 ft; O: 3543.26 ft; R: 1771.63 ft; l: 885.82 ft)
Illuminator	4 (IR LED)
Illumination Range	150 m (492.13ft)
Illuminator Control	Auto; manual;
Control Speed	Manual, Pan: 0.1°/s-250°/s; Tilt: 0.1°/s-140°/s
Power-off Memory	Yes
Video	
Video Compression	H.265; H.264; MJPEG(Sub Stream 1);
Resolution	8M(3840x2160);3.5M (2560 × 1440); 3M (2048 × 1536); 2.9M(2304x1296);1080p (1920 × 1080); 1.3M (1280 × 960); 720p (1280 × 720); D1 (704 × 576/704 × 480); VGA(640x480);CIF (352 × 288/352 × 240)
Video Frame Rate	Main stream: 8M/3.5M/3M/2.9M/1080p/1.3M/720p (1~30 fps) Sub stream 1: D1/VCA/CIF (1~30 fps) Sub stream 2: 1080p/1.3M/720p (1~30 fps)
Video Stream	3 streams
Bit Rate Control	CBR, VBR
Video Bit Rate	H.264: 96 Kbps - 14848 Kbps H265: 38 Kbps - 8960 Kbps
ROI	Supported
Image Rotation	180°
Image Enhancement	BLC, HLC, 3D NR
Defog	Electronic
Image Stabilization	Electronic
Privacy Mask	Supported
PTZ	
Range	Pan: 0°-360° endless, Tilt: -15°to 90°, auto flip 180°
Pan Speed	Manual Control: 0.1°/s-250°/s Preset: 250°/s

Tilt Speed	Manual Control: 0.1°/s-140°/s Preset: 140°/s
Preset	300
Patrol	8
Pattern	5
Scan	5
Scheduled Task	Preset, Pattern, Tour, Scan
Preset Freezing	Supported
3D Positioning	Supported
<b>Intelligent Analysis</b>	
VCA	Tripwire; intrusion; crossing fence detection; loitering detection; abandoned/missing object; parking detection; people gathering; Smart linkage tracking
Motion Detection2.0	Yes, support alarm triggered by vehicle and human
Face Detection	Supported
Deep Learning Function	People Counting, video metadata
Auto Tracking	Supported
<b>Audio</b>	
Built-in Mic	Not Supported
Built-in Speaker	Not Supported
Audio Compression	PCM; G.711a; G.711Mu;
Audio Bitrate	Sampling rate :PCM( 8000Hz; 16000Hz; 32000 Hz) G.711A( 8000 Hz ); G.711Mu(8000 Hz;)
<b>Event</b>	
Basic Event	Motion/tampering detection; network disconnection detection; IP conflict detection; memory card state detection; memory space detection
Alarm Linkage	Capture; recording; send email; preset; tour; pattern; alarm digital output; audio; warning light
<b>Network</b>	
Protocol	HTTP;HTTPS;TCP/IP;IPv4;RTSP;SMTP;NTP;DHCP;DNS;DDNS;IPv6;802.1x;SSL;Qos;FTP;UPnP;SNMP;ARP;RTCP;RTP;PPPoE;RTMP;Bonjour;NFS
Interoperability	ONVIF (Profile S&G&T); CGI; SDK
Storage	Micro SD card (512 GB); FTP/SFTP; NAS
Web Browser	IE 9 and later versions Chrome 41 and later versions Firefox 50 and later versions
Client	IOS;Android
<b>Interface</b>	
Ethernet Interface	RJ-45 (10/100 Base-T)
Alarm I/O	2 input, 1 output
Audio I/O	1 input, 1 output
<b>General</b>	
Power	24V DC/ PoE+ (802.3at)
Power Consumption	Max. 23W
Material	Metal
Dimensions	Φ191 mm × 332 mm (Φ7.52" × 13.07")
Operating Conditions	-40 °F to +158 °F (-40 °C to +70 °C)
Protection	IP67, IK10

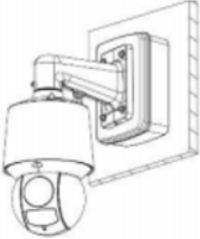
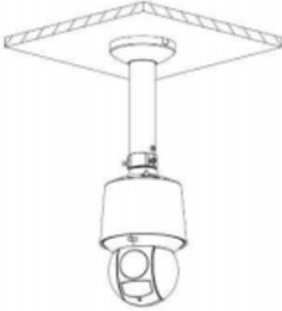
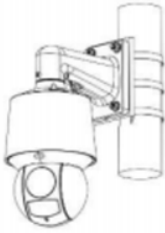
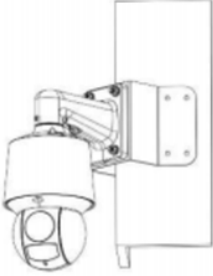
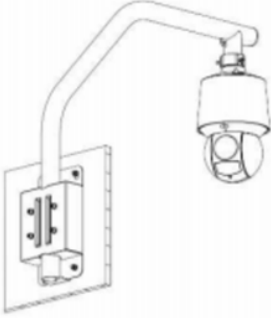
Gross Weight	8 kg (17.64lb)
Net Weight	4.7 kg (10.36lb)
Certifications	FCC
Accessory included	CAB-W02

## Dimensions (mm[inch])

mm [inch]



## Accessory

Wall Mount	Pendant Mount	Pole Mount
LXWM07 + LXJB06	LX4L03+LX4L04+LXKPD02	LXKWM02+LXJB02+LXPM02
		
Corner Mount	Parapet Mount	
LXKWM02 + LXCM01	LX4L04+LXPM06	
		

Note: Use wireframe to show the connection between device and accessory.