

CMIP1042-28M

4 MP Matrix IR Fixed Turret Network Camera



- 1/3" Progressive Scan CMOS
- 2560 × 1440@20fps
- 2.8 mm fixed lens
- Color: 0.028 Lux @ (F2.0, AGC ON)
- H.265, H.265+, H.264, H.264+
- BLC/HLC/3D DNR/ROI
- IR range: Up to 98ft(30 m)
- Built-in micro SD/SDHC/SDXC slot, up to 256GB (supports image and logs storage only)
- 3-Axis adjustment
- IP67

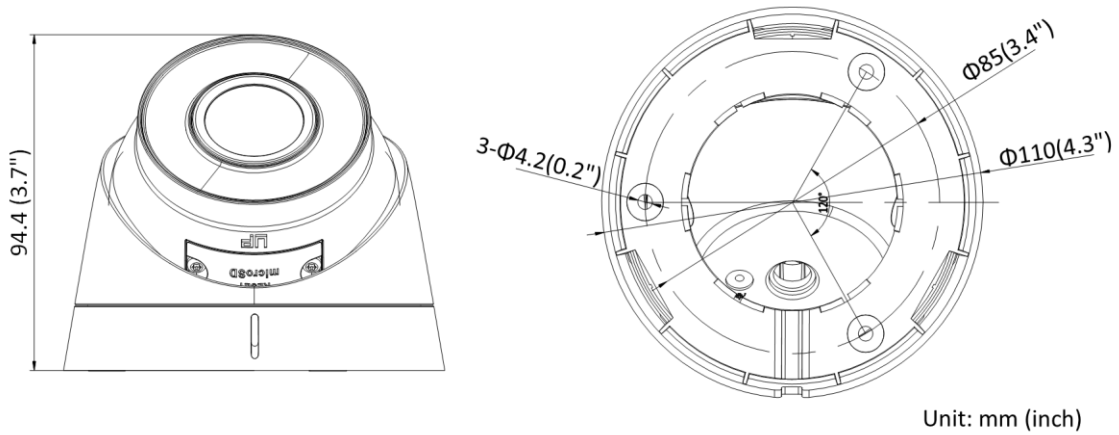
Specifications

Camera	
Image Sensor	1/3" Progressive Scan CMOS
Min. Illumination	Color: 0.028 Lux @ (F2.0, AGC ON)
Shutter Speed	1/3 s to 1/100,000 s
Slow Shutter	Yes
Day & Night	IR Cut Filter
WDR	DWDR
Angle Adjustment	Pan: 0° to 360°, tilt: 0° to 75°, rotate: 0° to 360°
Lens	
Lens Type	Fixed lens, 2.8 mm
Aperture	F2.0
FOV	2.8 mm, horizontal FOV 100°, vertical FOV 55°, diagonal FOV 117°
Lens Mount	M12
Illuminator	
IR Range	Up to 98ft(30 m)
Wavelength	850 nm
Video	
Max. Resolution	2560 × 1440
Main Stream	50Hz: 20fps (2560 × 1440, 2304 × 1296, 1920 × 1080, 1280 × 720) 60Hz: 20fps (2560 × 1440, 2304 × 1296, 1920 × 1080, 1280 × 720)
Sub-Stream	50Hz: 25fps (640 × 480, 640 × 360, 320 × 240) 60Hz: 30fps (640 × 480, 640 × 360, 320 × 240)
Video Compression	Main stream: H.265+/H.264+/H.265/H.264 Sub-stream: H.265/H.264/MJPEG
H.264 Type	Baseline Profile/Main Profile
H.265 Type	Main Profile
Video Bit Rate	32 Kbps to 8 Mbps
Smart Feature-Set	
Basic Event	Motion detection, video tampering alarm, exception (network disconnected, IP address conflict, illegal login, HDD full, HDD error)
Linkage Method	Upload to FTP/memory card, notify surveillance center, send email
Region of Interest	1 fixed region for main stream
Image	
Image Enhancement	BLC, HLC, 3D DNR
Image Setting	Saturation, brightness, contrast, sharpness, AGC and white balance adjustable by client software or web browser
Day/Night Switch	Day/Night/Auto/Schedule
S/N Ratio	> 50dB

Network	
Network Storage	microSD/SDHC/SDXC card (256GB) (supports image and logs storage only), local storage and ANR
Protocols	TCP/IP, ICMP, HTTP, HTTPS, FTP, DHCP, DNS, DDNS, RTP, RTSP, NTP, UPnP, SMTP, IGMP, 802.1X, QoS, IPv6, UDP, Bonjour
API	ONVIF (PROFILE S, PROFILE G), ISAPI, SDK
Security	Password protection, complicated password, IP address filter, Watermark, HTTPS encryption, basic and digest authentication for HTTP/HTTPS, WSSE and digest authentication for ONVIF, 802.1X authentication (EAP-MD5)
Simultaneous Live View	Up to 6 channels
User/Host	Up to 32 users, 3 levels: administrator, operator and user
Web Browser	IE8+, Chrome 31.0-44, Firefox30.0-51, Safari8.0+
Interface	
Communication Interface	1 RJ45 10M/100M self-adaptive Ethernet port
On-board storage	Built-in micro SD/SDHC/SDXC slot, up to 256GB (supports image and logs storage only)
General	
General Function	Anti-flicker, heartbeat, mirror, privacy mask, flash log
Reset	Reset via reset button on camera body, web browser and client software
Startup and Operating Conditions	-30 °C to 60 °C (-22 °F to 140 °F), humidity 95% or less (non-condensing)
Storage Conditions	-30 °C to 60 °C (-22 °F to 140 °F), humidity 95% or less (non-condensing)
Power Supply	12 VDC ± 25%, Φ 5.5 mm coaxial power plug, reverse polarity protection; PoE (802.3af, class 3)
Power Consumption and Current	12 VDC, 0.38 A, max. 4.5 W; PoE (802.3af, 36 V to 57 V), 0.2 A to 0.1 A, max. 5.5 W
Material	Camera body: metal, bottom base: plastic
Dimensions	Camera: Φ110 mm × 94.4 mm (Φ4.3" × 3.7") With package: 150 × 150 × 141 mm (5.9" × 5.9" × 5.6")
Weight	Camera: approx. 365 g (0.8 lb.) With package: approx. 626 g (1.4 lb.)
Approval	
EMC	47 CFR Part 15, Subpart B; EN 55032: 2015, EN 61000-3-2: 2014, EN 61000-3-3: 2013, EN 50130-4: 2011 +A1: 2014; AS/NZS CISPR 32: 2015; ICES-003: Issue 6, 2016; KN 32: 2015, KN 35: 2015
Safety	UL 60950-1, IEC 60950-1:2005 + Am 1:2009 + Am 2:2013, EN 60950-1:2005 + Am 1:2009 + Am 2:2013, IS 13252(Part 1):2010+A1:2013+A2:2015, IEC/EN 60950-1
Chemistry	2011/65/EU, 2012/19/EU, Regulation (EC) No 1907/2006
Protection	Ingress protection: IP67 (IEC 60529-2013)

* Listed resolutions are only selectable options. It does not mean that all streams can work at their maximum resolution at the same time.

Dimension



Accessory



LTB301
Wall Mount



LTB378
Vertical Pole Mount



LTB378
Corner Mount



LTB03-W
Junction Box