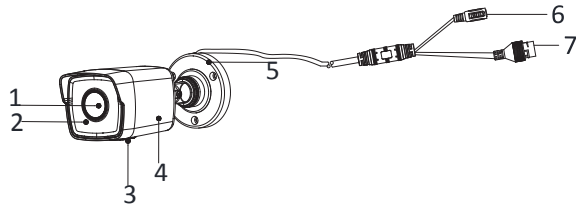


CMIP80x2-M Bullet Network Camera

Quick Installation Guide

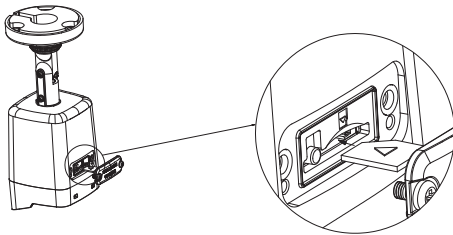


No.	Description
1	Lens
2	Front Cover
3	Memory Card Slot Cover
4	Back Cover
5	Mounting Base
6	Power Cord
7	Network Cable

Installation Steps

1. Install the Memory Card

- 1.1. Loosen the screws to remove the memory card slot cover.



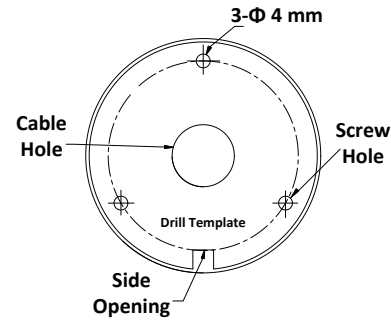
- 1.2. Insert the memory card into the memory card slot.
- 1.3. (Optional) To unmount the memory card, push to get it ejected.
- 1.4. Screw the cover back to the camera.

2. Ceiling Mounting

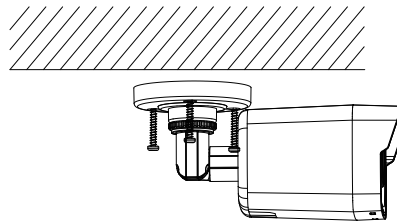
- 2.1. Paste the drill template (supplied) to the desired mounting position on the ceiling.
- 2.2. Drill the screw holes and the cable hole in the ceiling according to the drill template.

Note:

Drill the cable hole, if adopting ceiling outlet to route the cable



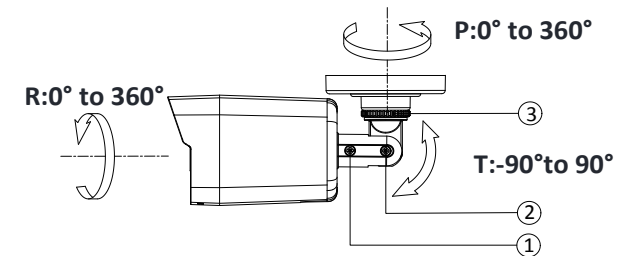
- 2.3. Route the cables through the cable hole (optional), or the side opening.
- 2.4. Fix the camera on the ceiling with supplied screws.



- In the supplied screw package, both self-tapping screws, and expansion bolts are contained.
- If the ceiling is cement, expansion bolts are required to fix the camera. If the ceiling is wooden, self-tapping screws are required.

- 2.5. Connect the corresponding power cord, and network cable.
- 2.6. Power on the camera, and set the network configuration to check whether the image is gotten from the optimum angle. If not, adjust the surveillance angle.

- 1). Loosen the No.1 adjusting screw to adjust the rotation position [0° to 360°].
- 2). Tighten the No.1 adjusting screw.
- 3). Loosen the No.2 adjusting screw to adjust the tilting position [-90° to 90°].
- 4). Tighten the No. 2 adjusting screw.
- 5). Loosen the No.3 adjusting screw to adjust the pan position [0° to 360°].
- 6). Tighten the No.3 adjusting screw.



Press Reset button for about 10s when the camera is powering on or rebooting to restore the default settings, including the user name, password, IP address, port No., etc.

For detailed instructions of further configuration, please refer to the user manual of network camera.