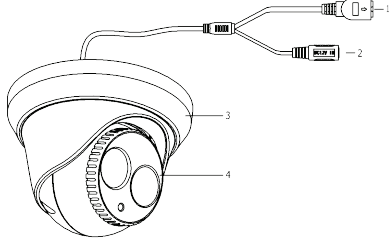


# Turret Type Network Camera

## Quick Installation Guide



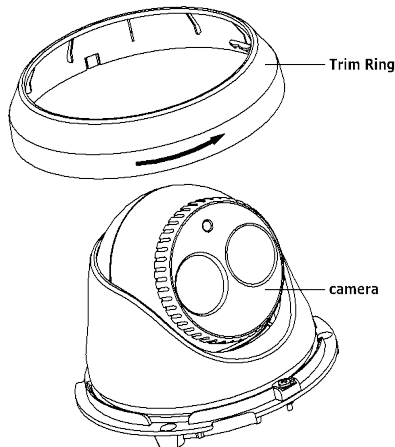
NO.	Name	Description
1	10M/100M self-adaptive Ethernet interface	Connect to the network; PoE
2	Power Cable	Connect to the 12V DC
3	Trim Ring	Protect the camera
4	Camera	Collect and read the image signals

Note:  
Please make sure that the power adapter is compatible with the camera.  
This series of camera supports Power over Ethernet (PoE) and the standard power supply is 12V DC.

### Steps:

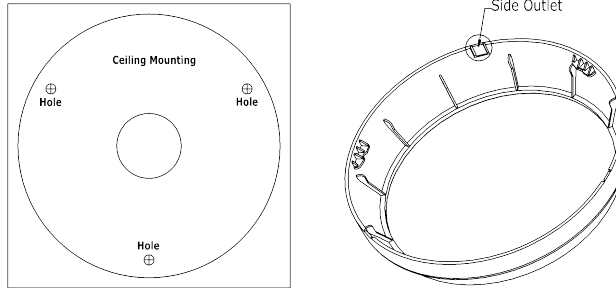
#### 1.Disassembling the Trim Ring

Rotate the trim ring counterclockwise to remove it from the camera.



#### 2.Drill the Holes

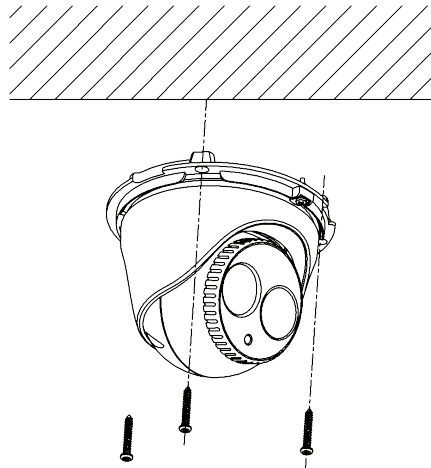
- 1)Attach the supplied drill template to the position where you want to fix the camera.
- 2)Drill the screw holes and the cable hole on the ceiling according to the drill template.



There are two cable outlet methods. One is to route the cables through the cable hole, and the other is to route the cables through the side outlet shown below.

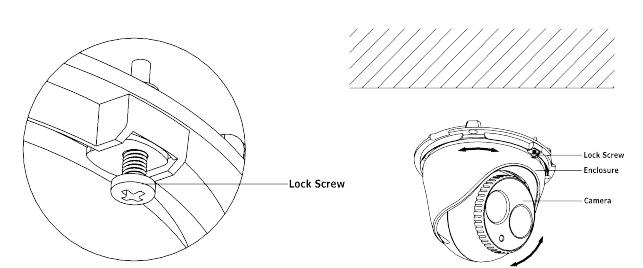
#### 3.Install the Camera

- 1)Connect the corresponding power/video cables.
- 2)Insert the supplied screws to the screw holes.
- 3)Tighten the screws to secure the camera to the ceiling.



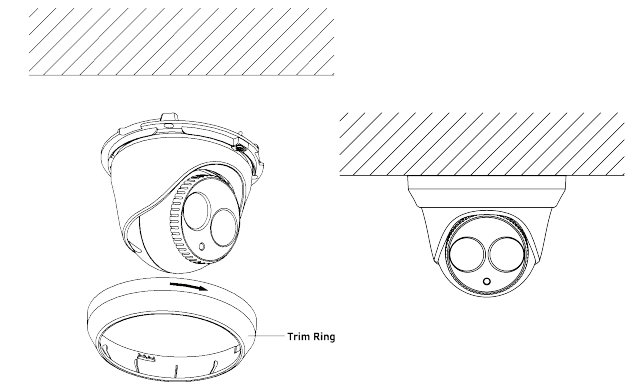
#### 4.Adjust the Lens

- 1)Loosen the lock screw.
- 2)Rotate the enclosure to adjust the pan angle; rotate the camera to adjust the tilt angle.
- 3)Tighten the lock screw to clamp the lens.



#### 5.Install the Trim Ring

- 1)Attach the trim ring to the camera.
- 2)Rotate the trim ring clockwise to secure it to the camera.



For detailed instructions of further configuration, please refer to the user manual of network camera.