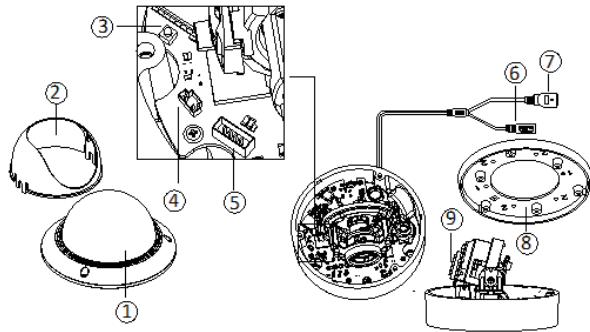


Dome Type VI Network Camera

Quick Installation Guide



No.	Description	No.	Description
1	Bubble	5	Serial Port
2	Black Liner	6	Power interface
3	Reset Button	7	Ethernet interface
4	AUX Video Output Interface	8	Adapter Plate
		9	Lens

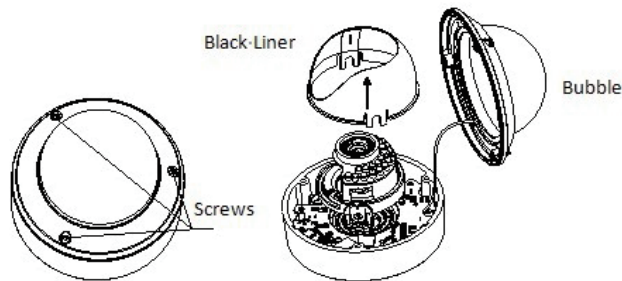
Installation:

Note:

Please make sure that the wall is strong enough to withstand three times the weight of the camera.

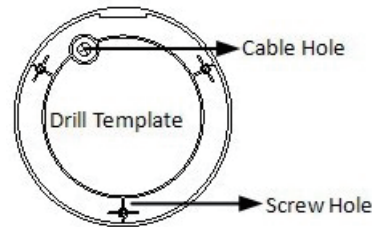
1. Disassembling

- 1) Loosen the three screws on the edge of the bubble with the screw driver.
- 2) Open the bubble and remove the black liner.



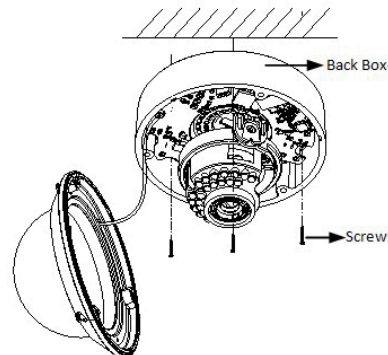
2. Ceiling mounting

- 1) Attach the drill template (supplied) to the place where you want to fix the camera.
- 2) Drill three screw holes in the ceiling according to the drill template

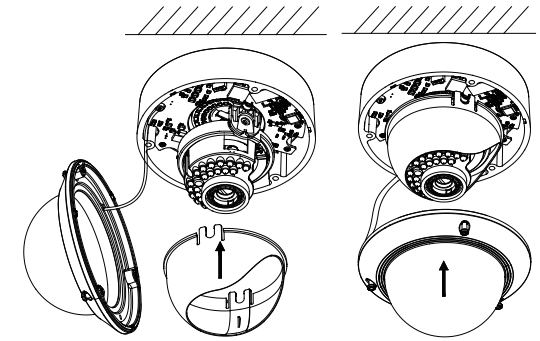


- 3) If you want to route the cables inside the ceiling, drill a cable hole in the ceiling according to the drill template.
- 4) Attach the camera to the ceiling by aligning the holes of the back box with the holes on the ceiling.

- 5) Secure the camera with the supplied screws.



- 6) Route the cables through the cable hole.
- 7) Connect the video output connector to the monitor. Connect the power connector to the power supply.
- 8) Adjust the image and focus.
- 9) Install the black liner back to the camera.
- 10) Align the bubble to the mounting base and fix it by tightening the screws



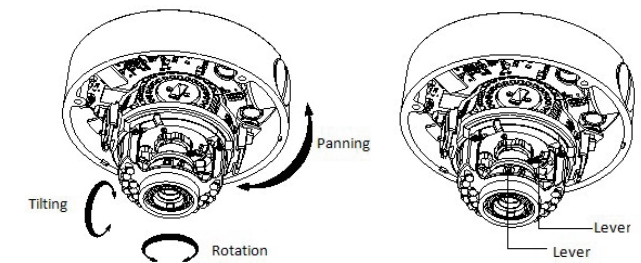
3. Image and Focus Adjusting

3-axis adjustment

- 1) View the camera image using the monitor.
- 2) Rotate the panning table to adjust the panning position of the camera.
- 3) Push the dome drive forward or backward to adjust the tilting position of the camera.
- 4) Rotate the lens table to adjust the azimuth angle of the image.

Zoom and focus adjustment.

- 1) View the camera image using the monitor.
- 2) Loosen the zoom lever and move the lever between T(Tele) and W(Wide) to obtain the appropriate angle of view.
- 3) Tighten the zoom lever.
- 4) Loosen the focus lever and move the lever between F(Far) and N(Near) to obtain the optimum focus.
- 5) Tighten the focus lever.



For detailed instructions of further configuration, please refer to the user manual of network camera.