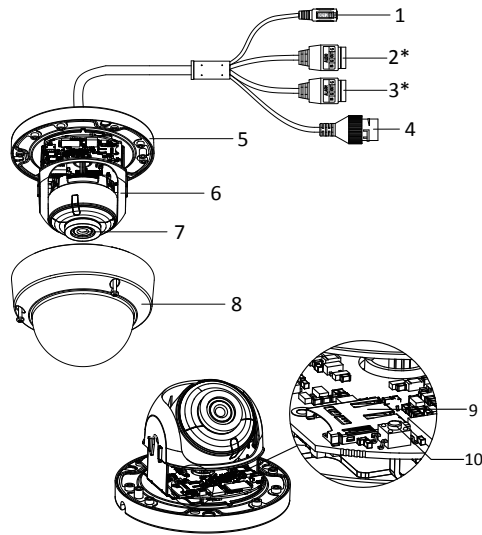


# Dome Type III Network Camera

## Quick Installation Guide



No.	Description	No.	Description
1	Power supply interface (12 VDC)	6	Black liner
2*	Audio input and output interface (Optional)	7	Lens
3*	Alarm input and output interface (Optional)	8	Bubble
4	RJ45 self-adaptive network interface (PoE)	9	Memory card slot
5	Mounting base	10	Reset button

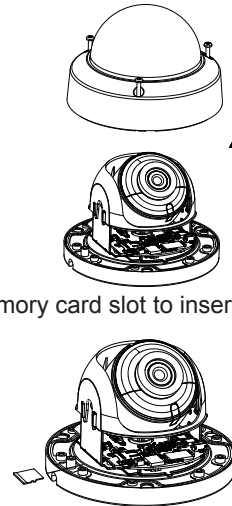
### Note:

Press RESET about 10s when the camera is powering on or rebooting to restore the default settings, including the user name, password, IP address, port No., etc.

### Installation Steps:

#### 1. Memory Card Installation

1) Loosen the screws on the bubble. Remove the bubble to expose the memory card slot

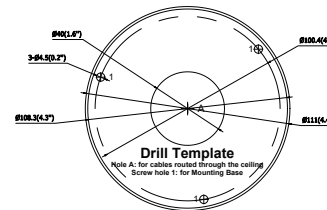


2) Find the memory card slot to insert the memory card

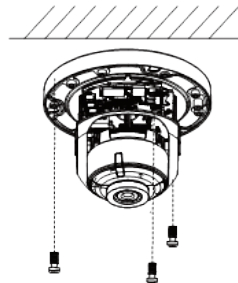
3) (Optional) To unmount the memory card, push to get it ejected

2. Paste the drill template to desired mounting place

3. Drill the screw holes on the ceiling according to the drill template

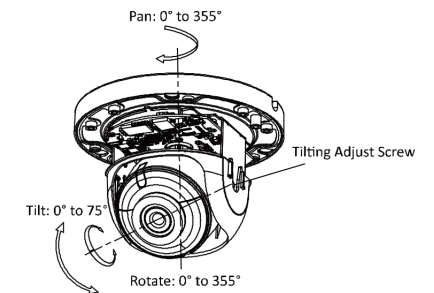


4. Route the cables and fix the mounting base on the ceiling with three screws

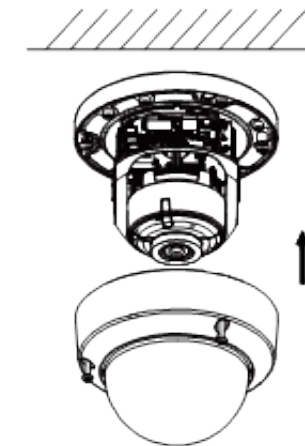


#### 5. Adjust surveillance angle

- 1) Loosen one tilting adjust adjusting screw to adjust the tilting position. Tighten the screw after adjustment.
- 2) Hold the black liner to adjust the panning position
- 3) Hold the lens to adjust the rotating position



#### 6. Install the bubble back to the camera



For detailed instructions of further configuration, please refer to the user manual of network camera.