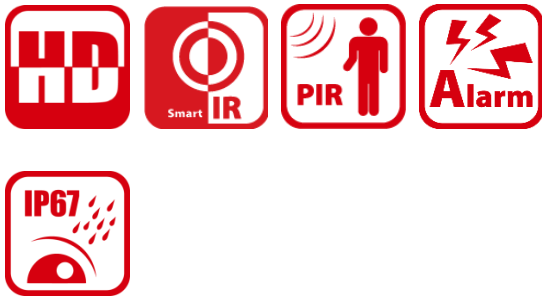


## CMHR9252N-28PIR 5 MP PIR Bullet Camera



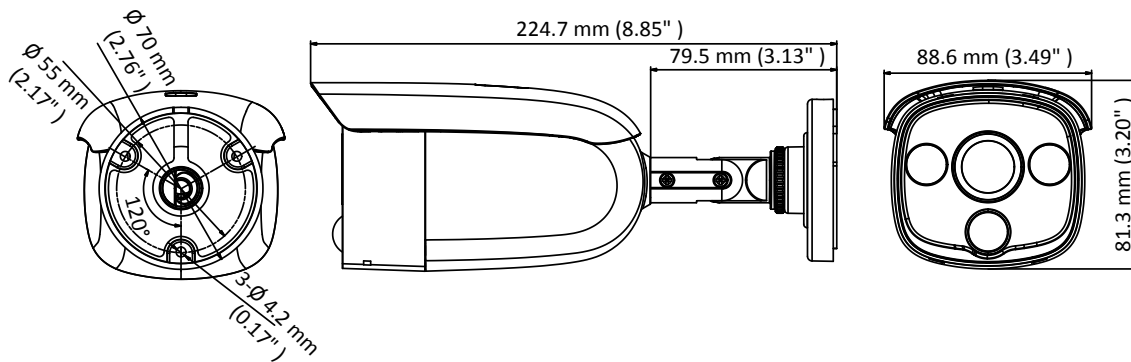
### Key Features

- 5 MP high performance CMOS
- 2560 × 1944 resolution
- 2.8 mm fixed focal lens
- PIR detection, visual alarm
- Matrix IR 2.0, smart IR, up to 66ft(20 m) IR distance
- IP67
- OSD Menu via UTC technology with Platinum DVR

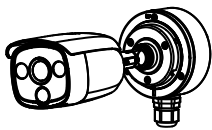
## Specification

<b>Camera</b>	
Image Sensor	5.0 megapixel progressive scan CMOS
Signal System	PAL/NTSC
Frame Rate	PAL: 5 MP@20fps, 4 MP@25fps, 1080p@25fps NTSC: 5 MP@20fps, 4 MP@30fps, 1080p@30fps
Resolution	2560 (H) × 1944 (V)
Min. illumination	Color: 0.01 Lux @ (F1.2, AGC ON), 0 Lux with IR
Shutter Time	PAL: 1/25 s to 1/50, 000 s NTSC: 1/30 s to 1/50, 000 s
Lens	2.8 mm fixed focal lens
Horizontal Field of View	85.5° (2.8 mm)
Lens Mount	M12
Visual Alarm	Yes
Day & Night	IR cut filter
Angle Adjustment	Pan: 0° to 360°, Tilt: 0° to 180°, Rotate: 0° to 360°
Synchronization	Internal synchronization
<b>Menu</b>	
White Light	Alarm/Lighting/Off
AGC	Yes
Day/Night Mode	Auto/Color/BW (Black and White)
White Balance	Auto/Manual
Backlight Compensation	Yes
Language	English
Functions	Brightness, Contrast, Sharpness, Saturation, DNR, Mirror
<b>Interface</b>	
Video Output	1 HD analog output
<b>General</b>	
Operating Conditions	-40 °C to 60 °C (-40 °F to 140 °F), humidity: 90% or less (non-condensation)
Power Supply	12 VDC ±25%
Power Consumption	Max. 4.5 W
Ingress Protection	IP67
Material	Front cover: Metal Main body: Plastic
IR Range	Up to 66ft(20 m)
PIR Range	Angle: 110°, Range:36ft(11 m)
Communication	Up the coax, TVI output
Dimensions	88.6 mm × 81.3 mm × 224.7 mm (3.49" × 3.20" × 8.85" )
Weight	Approx. 430 g (0.95 lb.)

## Dimension



## Accessory



LTB345  
Junction Box