

# LTB347HB

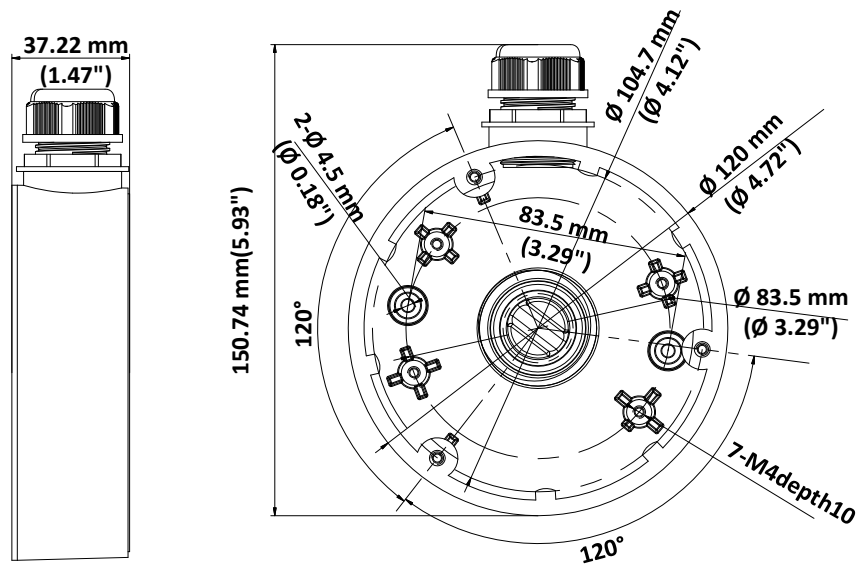
## Junction Box

### Features

- Aluminum alloy material with surface spray treatment
- Supports bottom outlet, and side outlet
- Applies to both indoor conditions, and outdoor conditions



### Dimensions



### Parameters

Model	LTB347HB
Parameters	Junction Box
Color	Black
Materials	Aluminum Alloy
Dimensions	∅ 4.72 × 1.46" (∅ 120 × 37.2 mm)
Weight	0.55 lb (250 g)

### Notes

- The junction box should be installed on a flat surface.
- Waterproof rubber piece is necessary for outdoor applications.
- The wall must be capable of supporting at least 3 times the total weight of the camera plus the junction box.
- The junction box's maximum load capacity is 9.92 lb (4.5 kg).