

8MP Pro-X Intelligent Fixed Lens Series

LXIP8582W-28MDA



Key Features

- Outputs 8MP (3840×2160) @30fps, 8MP (3840×2160) @20fps with AI enabled
- 1/2.8" Starlight CMOS image sensor
- Min. Illumination 0.005 Lux@F1.4 (Color, 30IRE), 0 Lux with IR Light on
- Built-in IR LED, Matrix IR LED up to 164ft
- Smart encoding H.265/H.264
- 120dB True WDR, 3D DNR, HLC, BLC
- MD 2.0 focuses on human & vehicle
- Smart VCA by AI algorithm
- Built-in Micro SD card slot, up to 256 GB
- Built-in Mic
- Support Alarm and Audio interference
- 12V DC/POE power supply
- IP67 protection

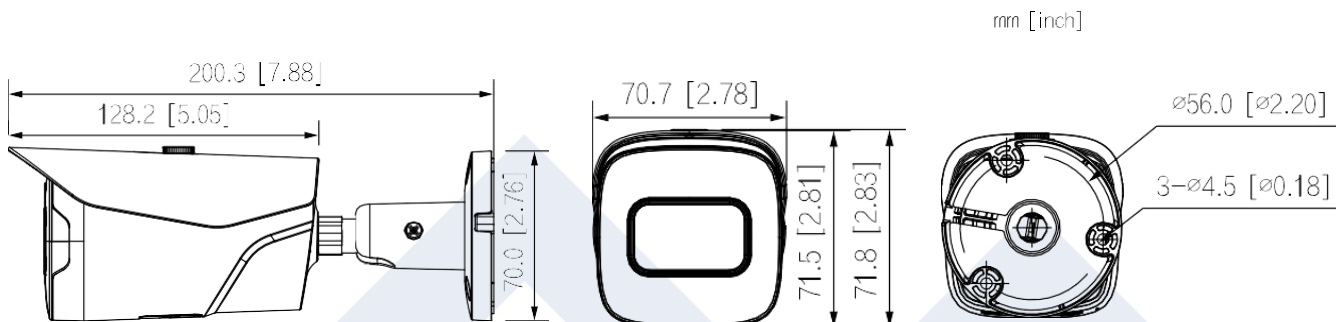
LXIP8582W-28MDA

Specification


Camera	
Image Sensor	1/2.8" 8Megapixel progressive CMOS
Min. Illumination	0.005 Lux@F1.4 (Color, 30IRE), 0.0005 Lux@F1.4 (B/W, 30IRE), 0 Lux (Illuminator on)
Shutter	Auto/Manual 1/3 s-1/100, 000 s
S/N Ratio	> 56 dB
Noise Reduction	3D DNR
Wide Dynamic Range	120 dB
Day & Night	Auto (ICR) /Color/B/W
Angle Adjustment	Pan: 0°-360°, Tilt: 0°-90°, Rotation: 0°-360°
Lens Type	Fixed-focal 2.8mm @F1.4
Iris Type	Fixed
Field of View	Horizontal 108° × Vertical 58° × Diagonal 127°
Close Focus Range	1.4 m (4.6 ft)
DORI	Detect: 85.5 m (280.5ft), Observe: 34.2 m (112.2ft), Recognize: 17.1 m (56.1ft), Identify: 8.6 m (28.2ft)
Illuminator	1 (IR LED)
Illumination Range	50 m (164.0ft)
Illuminator Control	Auto/Manual
Video	
Video Compression	H.265, H.264, H.264H, H.264B, MJPEG (only supported by sub stream)
Smart Codec	Supported
Resolution	8M (3840 × 2160), 6M (3072 × 2048), 5M (3072 × 1728/2592 × 1944), 4M (2688 × 1520), 3M (2048 × 1536/2304 × 1296), 1080p (1920 × 1080), 1.3M (1280 × 960), 720p (1280 × 720), D1(704 × 576/704 × 480), VGA (640 × 480), CIF (352 × 288/352 × 240)
Video Frame Rate	Main stream: 3840 × 2160 @ (1-20 fps by default) / 3840 × 2160 @ (1-30 fps when AI function disabled) Sub stream: 704 × 576 @ (1-25 fps) / 704 × 480 @ (1-30 fps) Third stream: 1920 × 1080 @ (1-30 fps)
Video Stream	3 streams
Bit Rate Control	CBR, VBR
Video Bit Rate	H.264: 3 kbps - 8192 kbps, H.265: 3 kbps - 8192 kbps
ROI	Supported (4 areas)
Image Rotation	0°/90°/180°/270° (Support 90°/270° with 1920 × 1080 resolution and lower)
Mirror	Supported
Privacy Mask	Supported (4 areas)
Audio	
Built-in Mic	Yes
Audio Compression	G.711a, G.711Mu, G726
Intelligent Analysis	
VCA	Tripwire, intrusion (Support the classification and accurate detection of vehicle and human)
MD 2.0	Yes, support alarm triggered by vehicle and human

Event	
Alarm event	No SD card, SD card full, SD card error, service life warning (only supported by card), network disconnection, IP conflict, illegal access, motion detection, video tampering, intrusion, tripwire, scene changing, audio detection, voltage detection, external alarm, IMD , safety exception
Network	
Protocol	IPv4, IPv6, HTTP, TCP, UDP, ARP, RTP, RTSP, RTCP, RTMP, SMTP, FTP, SFTP, DHCP, DNS, DDNS, QoS, UPnP, NTP, Multicast, ICMP, IGMP, NFS, SAMBA, PPPoE, SNMP
Interoperability	ONVIF (Profile S/Profile G/Profile T), API, P2P
Storage	FTP, SFTP, Micro SD Card (support max. 256 G), NAS
Web Browser	IE: IE8, IE9, IE11, Chrome, Firefox
Client	PRO-X, X Station
Interface	
Network	RJ-45 (10/100 Base-T)
Audio I/O	1 channel (RCA port) audio input, 1 channel (RCA port) audio output
Alarm I/O	1 channel alarm input: 5mA 3V-5V DC, 1 channel alarm output: 300mA 12V DC
General	
Power	12V DC/PoE (802.3af), <6.3W
Housing	Metal
Dimensions	200.3 mm × 70.7 mm × 71.8 mm (7.9" × 2.8" × 2.8") (L × W × H)
Operating Conditions	-40°C to +60°C (-40°F to +140°F)/Less than 95% RH
Storage Conditions	-40°C to +60°C (-40°F to +140°F)
Protection Grade	IP67
Net Weight	0.55 kg (1.2lb)
Gross Weight	0.74 kg (1.6lb)
Certification	FCC

Dimensions (mm[inch])



Accessory

LXKJB01 Junction Box	LXPM01 Vertical Pole Mount	LXCM01 Corner Mount
 The image shows three components of the LXKJB01 Junction Box: a white circular base with a central hole, a white cylindrical sleeve, and a small black cap.	 The image shows two components of the LXPM01 Vertical Pole Mount: a silver metal ring and a square silver metal plate with four mounting holes.	 The image shows a single component of the LXCM01 Corner Mount: a silver metal L-shaped bracket with a central hole.