

# Stitched Turret Camera Quick Start Guide

## Safety Requirements

### Installation Requirements

- Comply with all local electrical safety codes and standards when operating the product.
- Check if the power supply is correct before operating the product.
  - Follow the electrical requirements to power the product. Requirements for selecting a power adapter:
    - The power supply must conform to the IEC 60950-1 and IEC 62368-1 standards.
    - The voltage must meet SELV (Safety Extra Low Voltage) requirements and not exceed ES-1 standards.
    - The power supply must meet LPS requirements and not exceed PS2.
  - We recommend using the power adapter provided with the product.
  - The power supply requirements (such as rated voltage) are subject to the product label.
- Do not connect the product to more than two power supplies unless otherwise specified.
- The product must be installed in a location only professionals can access to avoid the risk of non-professionals becoming injured from accessing the area while the product is in operation. Professionals must have full knowledge of the safeguards and risks when using the product.

### Operation Requirements

- Do not open the cover when the product is powered on.
- Do not touch the heat dissipation component of the product.

## Packing List

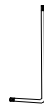
Check the items below to make sure every installation part is included and in proper condition.



1 x Stitched Turret Camera



2 x Product Literature



1 x L-Shaped Wrench



1 x Mounting Template



1 x Package of Screws



1 x Package of Mounting Components



1 x Power Drill (Not Included)



1 x Roll of Electrical Tape (Not Included)



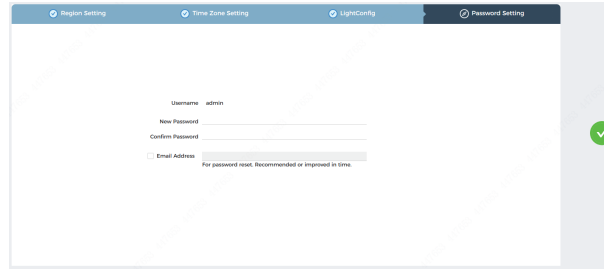
1 x MicroSD Card (Not Included)



1 x Phillips Head Screwdriver (Not Included)

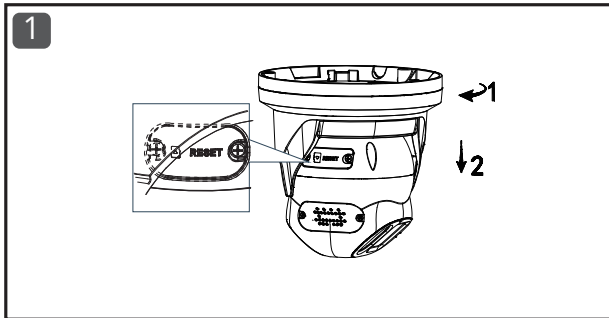
## Device Initialization

- Enter the camera's IP address in the browser address bar. Chrome and Firefox are recommended.
- Follow the on-screen instructions to complete the initialization process.

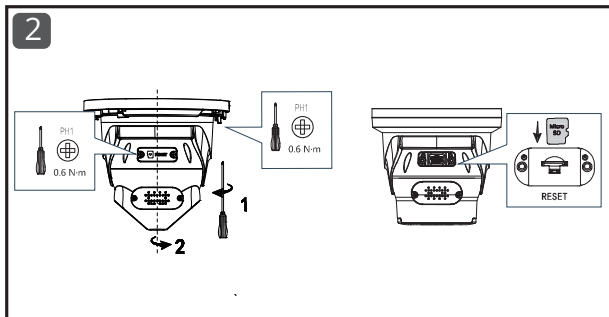


## Installation Steps

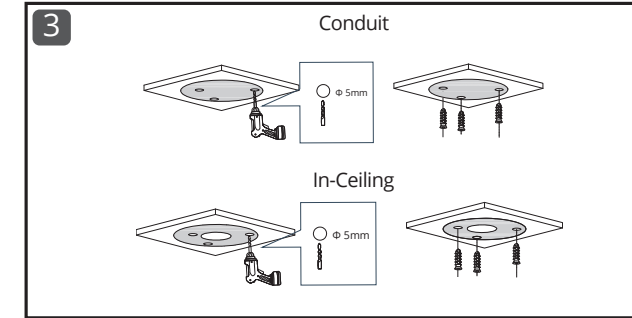
Separate the camera hardware from the mounting plate by rotating the camera and pulling downward. Find the hatch on the side of the camera.



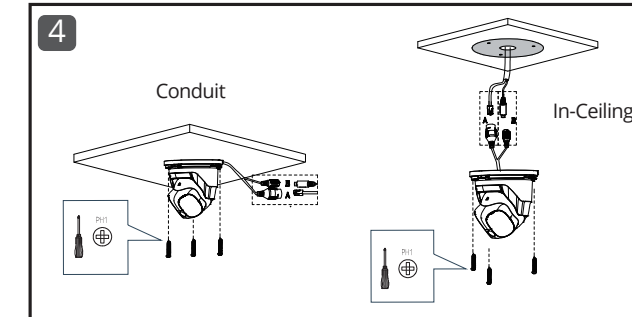
Slightly unscrew the camera hardware from the mounting plate and loosen the camera sensor from the camera hardware. Do not completely remove either component. Unscrew the cover to the hatch to reveal the reset button and card slot. Insert the MicroSD card, reinstall the cover, and reattach all components.



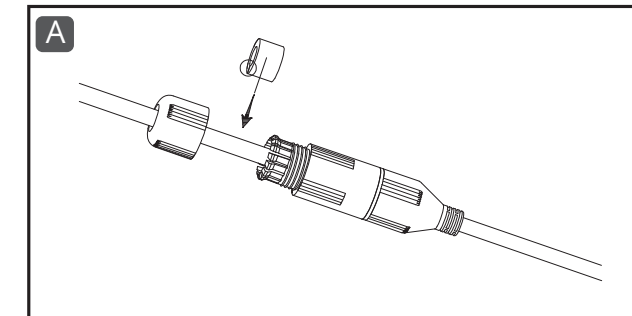
Position the camera using the mounting template, screw the template into place. For conduit installations, no need to drill a hole on ceiling. For in-ceiling installations, follow the position cycle on template to drill a hole on ceiling.



Use pliers to remove the cover of the cable opening and feed the cables through it. Connect the cabling. See optional procedures A and B to create a more secure attachment for these components. Secure the mounting plate and the camera using screws.

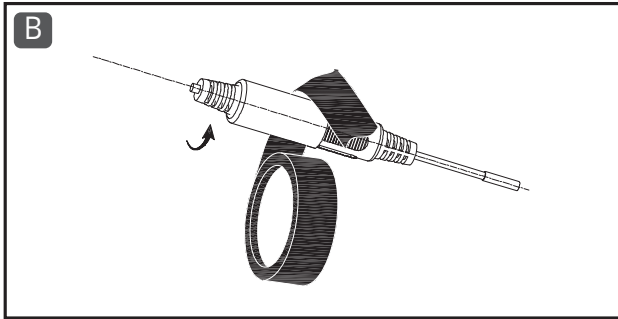


Install a protective cover on the cap of the PoE connector before connecting the two wires.

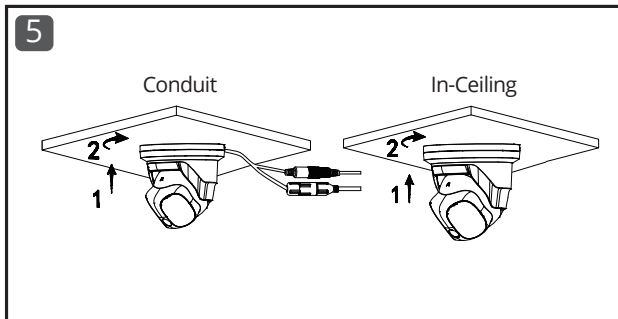


# Stitched Turret Camera Quick Start Guide

Wrap the camera's power cable with electrical tape to ensure a secure connection and protect it from water.



Secure the mounting plate and the camera using the provided screws. Ensure the camera is seated properly by pushing up and then rotating.



Position the camera at the desired angle and screw into place. The camera can be moved up, down, left, right, and rotated.

